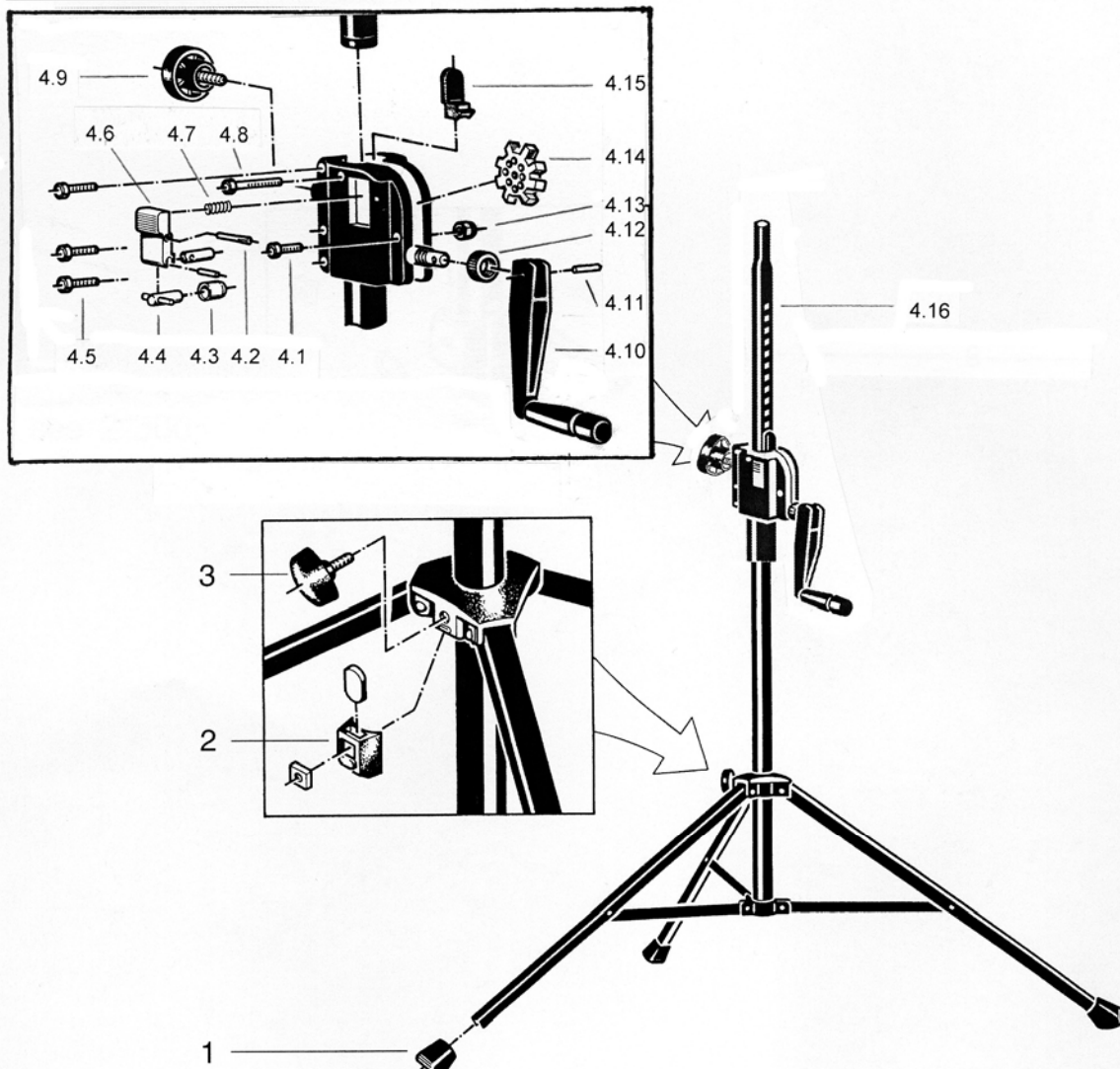


21302 Speaker Stand

21302-000-55 black



Pos.	Description	Art-no.	Qty
1	leg cap	01-84-870-55	3
2	plastic locking spacer cpl.	01-86-735-55	1
3	locking knob M8x18	01-83-822-55	2
4	hand crank with extension rod cpl. consisting of:	21304-000-55	1
4.1	socket head screw M6x16mm	03-02-210-25	1
4.2	cap nut ø3x30mm	04-14-150-29	1
4.3	reinforcing sleeve	01-05-105-00	1
4.4	spring loaded locking bolt with straight pin	6-21300-4-00	1
4.5	socket head screw M6x22mm	03-02-225-25	3
4.6	lever	02-41-690-64	1
4.7	compressing spring	03-15-140-00	1
4.8	socket head screw M6x40	03-02-250-25	1
4.9	locking knob M8x21/38	01-82-783-55	1
4.10	hand crank	21303-000-55	1
4.11	rivet ø4x27mm	03-61-585-01	1
4.12	knurled adjusting nut	01-06-450-35	1
4.13	cap nut	03-08-330-29	5
4.14	gear	03-41-705-00	1
4.15	finger guard	01-89-710-55	1
4.16	extention rod cpl.	5-21300-1-55	1