

T08LB/44ED050-8

Technical Specification

1. Specification

44ED050-8 is a 8 inch aluminum ferrite coaxial loudspeaker, it's suitable for professional speaker full-frequency unit.

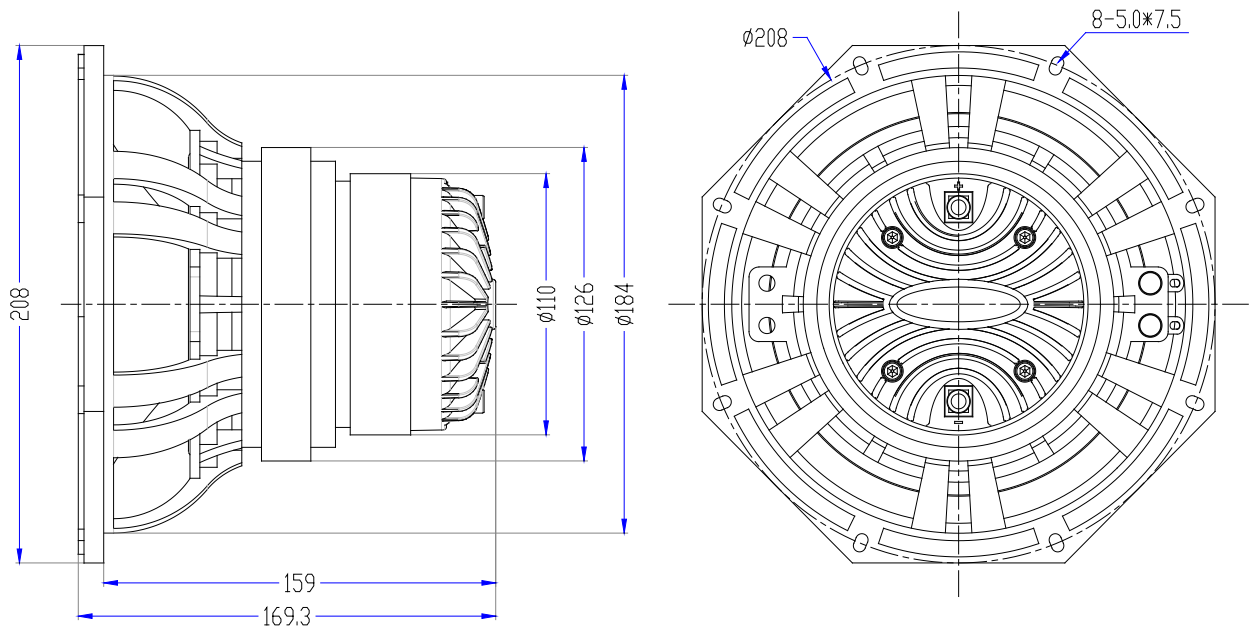
2. Parameters (Woofer)

- | | |
|--|--|
| (1). Diameter: 200mm (8inch) | (7). Min Resonant Frequency: 80 ± 8 Hz |
| (2). DC Impedance: $7.0 \pm 0.35 \Omega$ | (8). Frequency Response: 80Hz-3KHz |
| (3). Rated Impedance: 8Ω | (9). V. C Diameter: 49.55mm |
| (4). Min Impedance: 6.4Ω | (10). V. C Material: Round Copper Wire |
| (5). Power: | (11). Voice Coil Bone Materials: TIL |
| Rated Power: 150W (7.0Ω) | (12). Height of Coil: 11.2mm |
| Instant Max Power: 600W (7.0Ω) | (13). Magnetic gap depth: 8mm |
| (6). Sensitivity (1W/1m): 95 ± 2 dB | (14). Flux: 1.05T |
| | (15). Weight: 4.8kg |

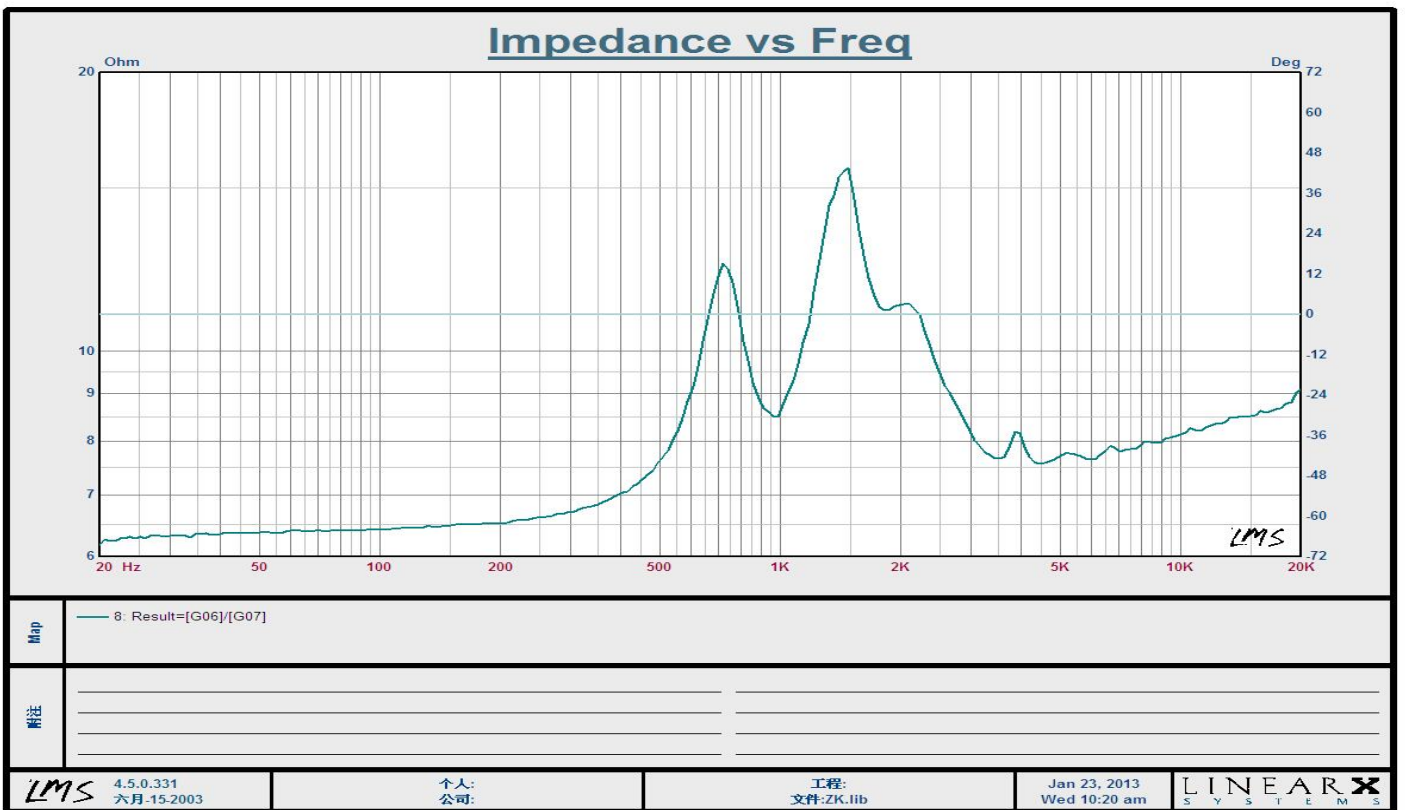
3. Parameters (Driver)

- | | |
|---|---|
| (1). DC Impedance: $5.8 \pm 0.29 \Omega$ | (7). Lowest frequency division point: 1.8KHz |
| (2). Rated Impedance: 8Ω | (8). Frequency Response: 1.8KHz-20KHz |
| (3). Min Impedance: 7.3Ω | (9). V. C Diameter: 44.4mm |
| (4). Power: | (10). V. C Material: Copper clad aluminum flat wire |
| Rated Power: 35W (5.8Ω) | (11). Voice Coil Bone Materials: Kapton |
| Instant Max Power: 140W (5.8Ω) | (12). Height of Coil: 3mm |
| (5). Sensitivity (1W/1m): 105 ± 2 dB | (13). Magnetic gap depth: 2.4mm |
| (6). Min Resonant Frequency: 700 ± 100 Hz | (14). Flux: 1.53T |

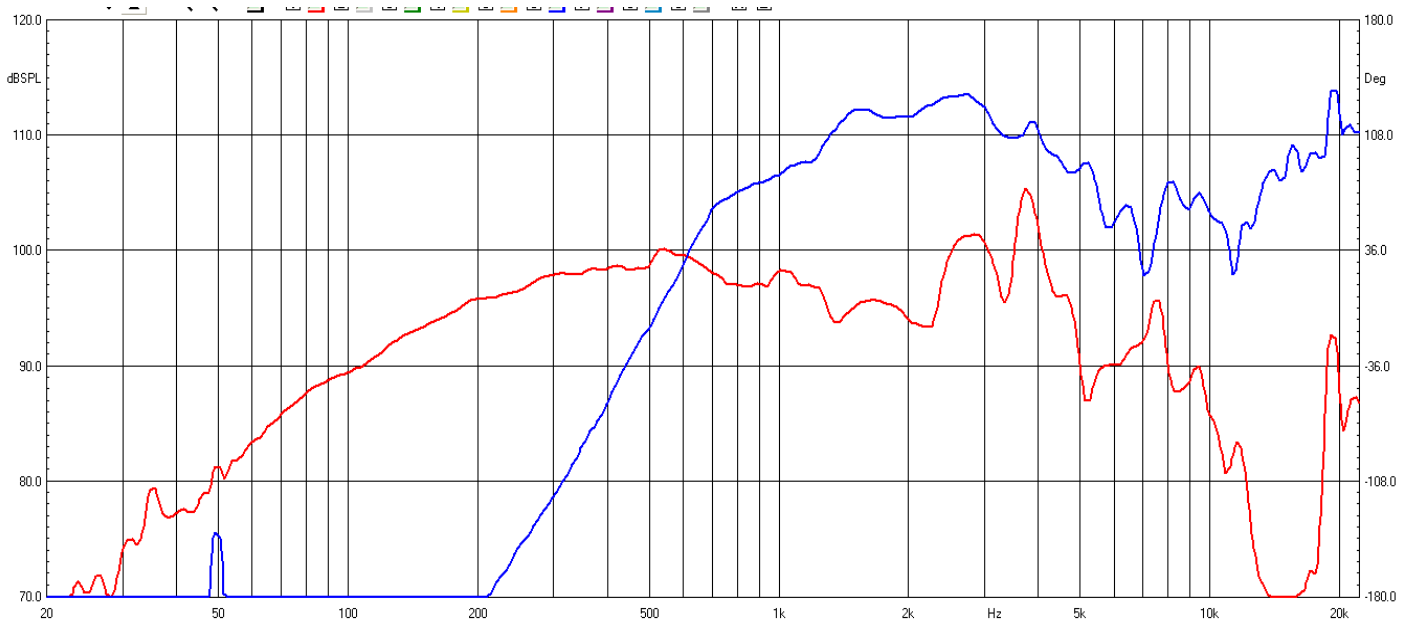
4、Drawing



5、Tweeter Impedance Curve



6、Frequency Response Curve



7、Bass parameter

