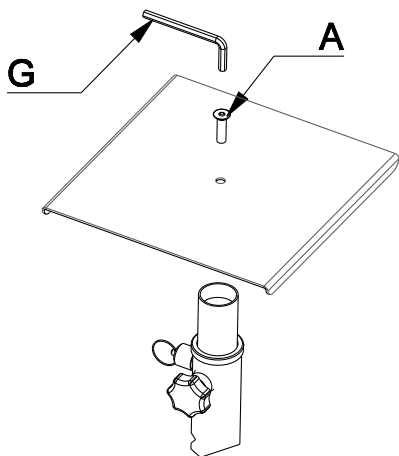
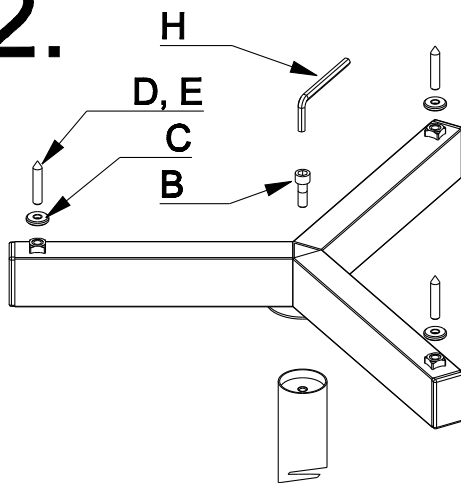


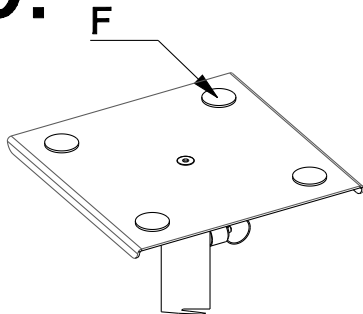
1.



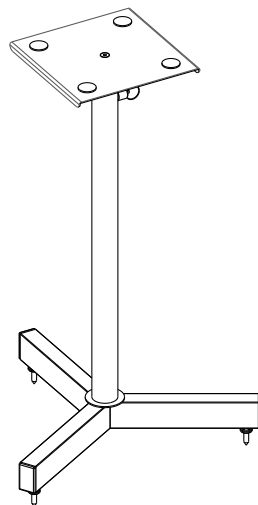
2.



3.



4.



A



x 1

B



x 1

C



x 3

D



x 3

E



x 3

F



x 4

G



x 1

H



x 1