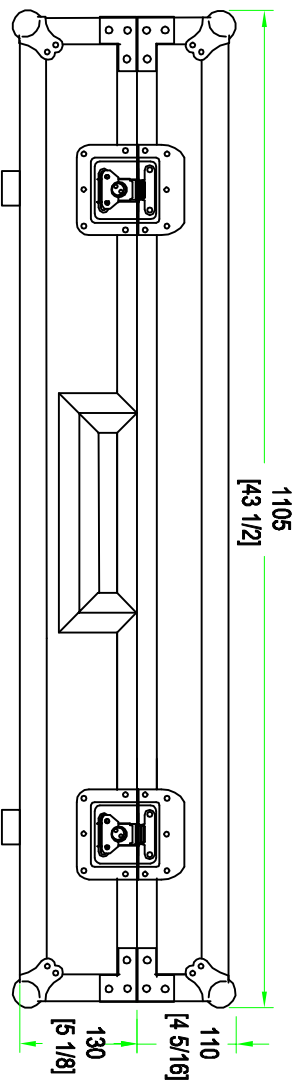
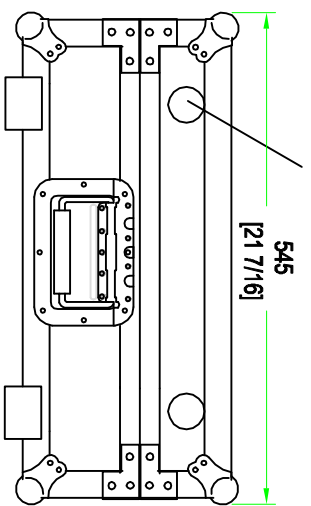


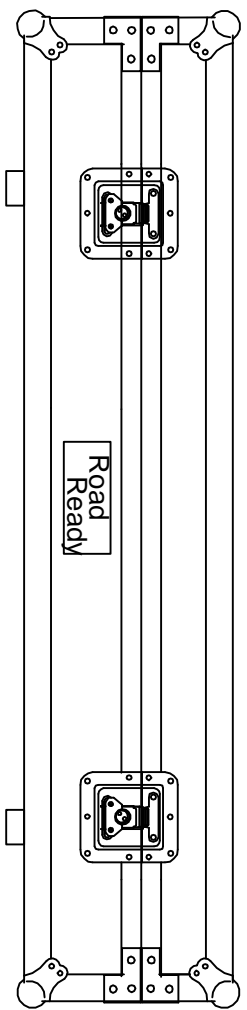
RRDJ10W



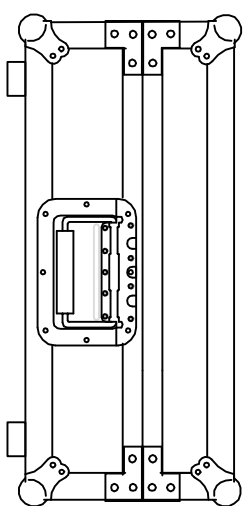
FRONT VIEW



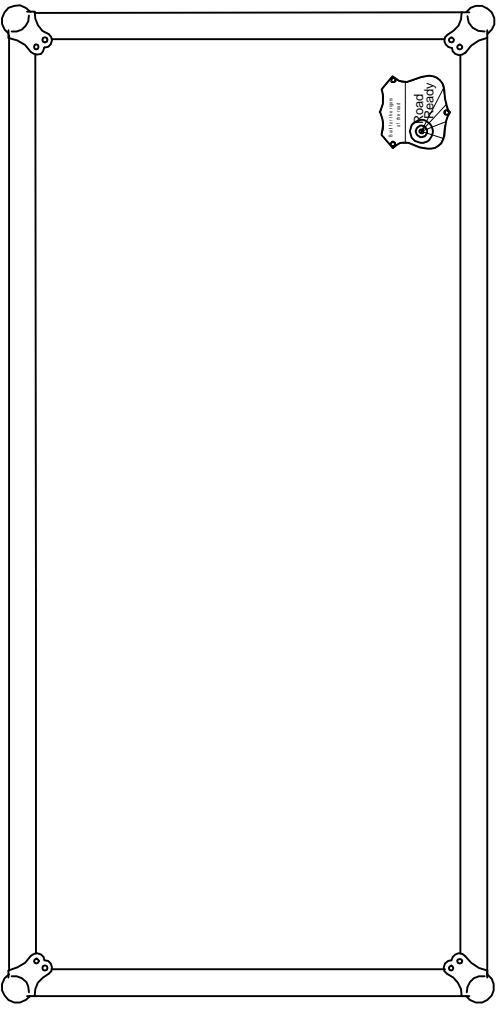
LEFT VIEW



BACK VIEW



RIGHT VIEW

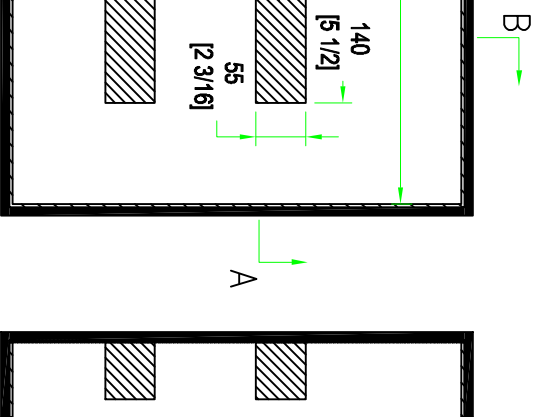
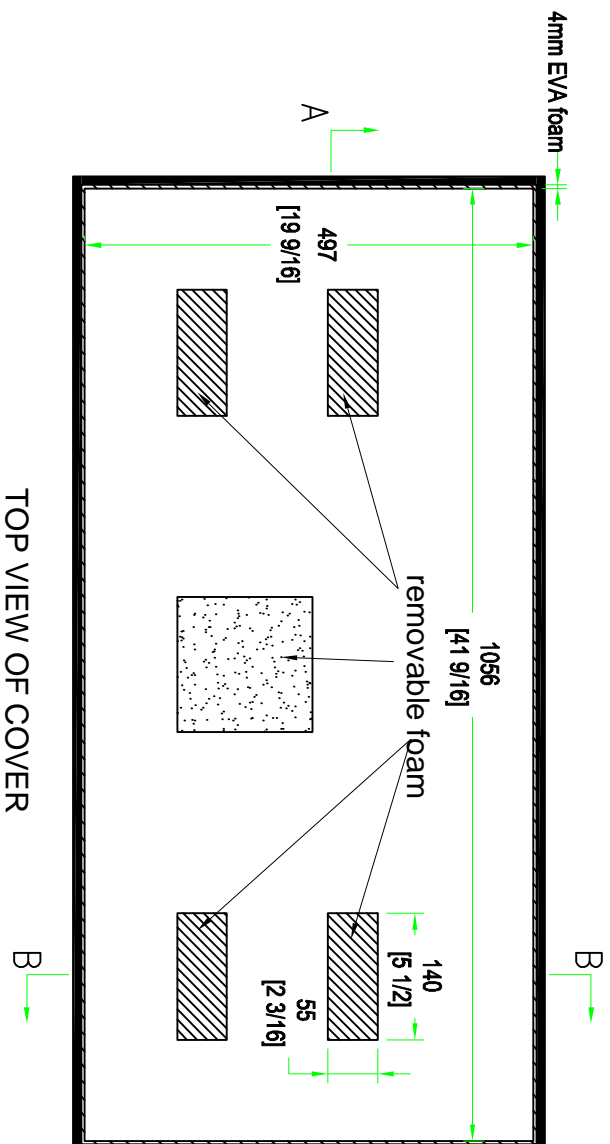
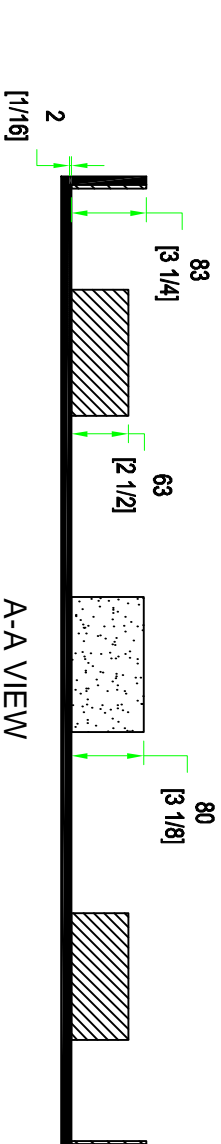


TOP VIEW



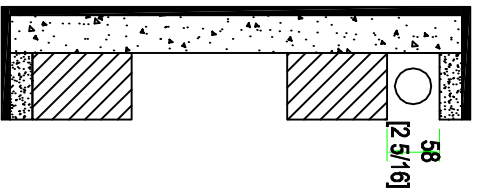
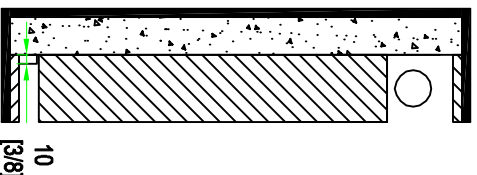
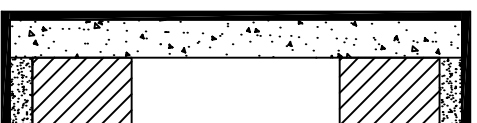
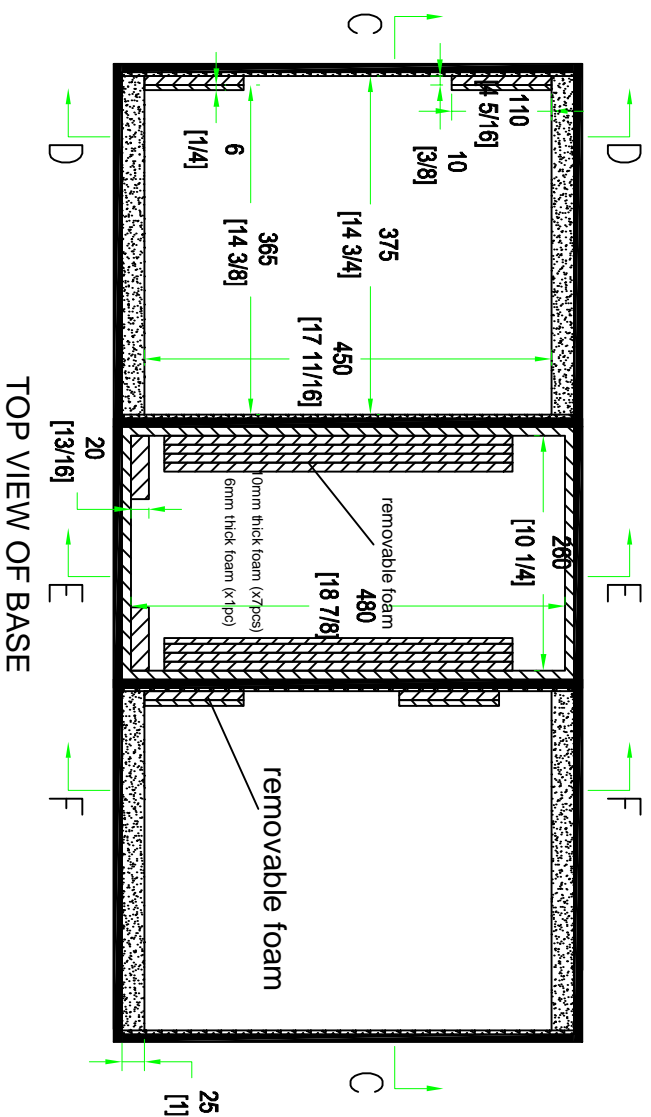
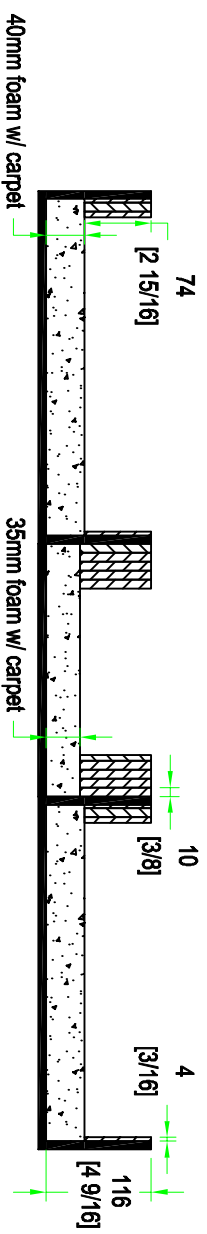
| | | | |
|---------------------|--------|------------------|-----------|
| SKU: RRDJ10W | | BY: | |
| UPC: NA | | ROAD READY CASES | |
| APPROVAL SIGNATURE: | | DATE: | |
| DRAWING DATE: | SCALE: | DRAWING NUMBER: | REVISION: |
| 02 / 16 / 2016 | 1:8 | 1/3 | |

RRDJ10W



| | | | |
|---------------------|--------|-----------------|------------------|
| | | SKU: RRDJ10W | BY: |
| | | UPC: NA | ROAD READY CASES |
| APPROVAL SIGNATURE: | | DATE: | |
| DRAWING DATE: | SCALE: | DRAWING NUMBER: | REVISION: |
| 02 / 16 / 2016 | 1:8 | 23 | |

RRDJ10W



| | | |
|---------------------|--------|------------------|
| SKU: RRDJ10W | BY: | ROAD READY CASES |
| UPC: NA | DATE: | |
| APPROVAL SIGNATURE: | SCALE: | DRAWING NUMBER: |
| | 1:8 | 33 |
| DRAWING DATE: | | REVISION: |
| 02 / 16 / 2016 | | |