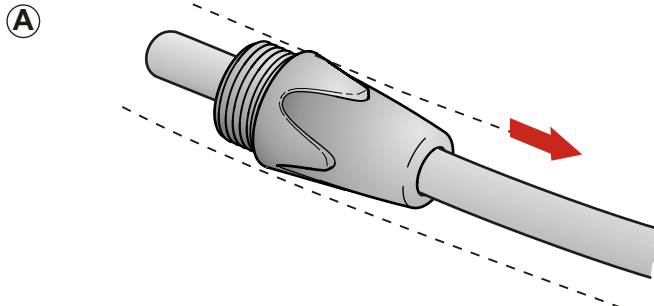




ASSEMBLY INSTRUCTION

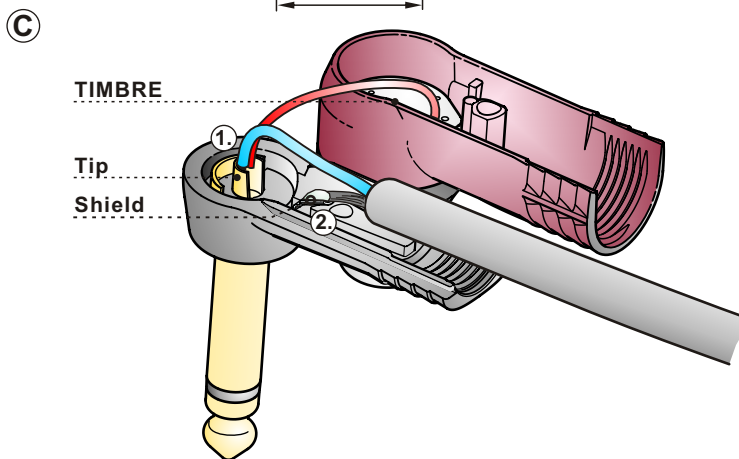
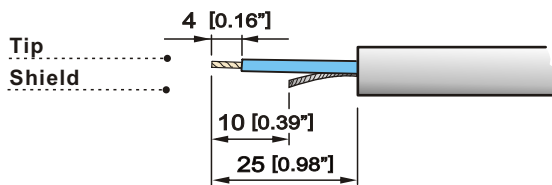
NP2RX-TIMBRE | 1/4" Guitar - timbrePLUG



Slide the boot onto the cable.

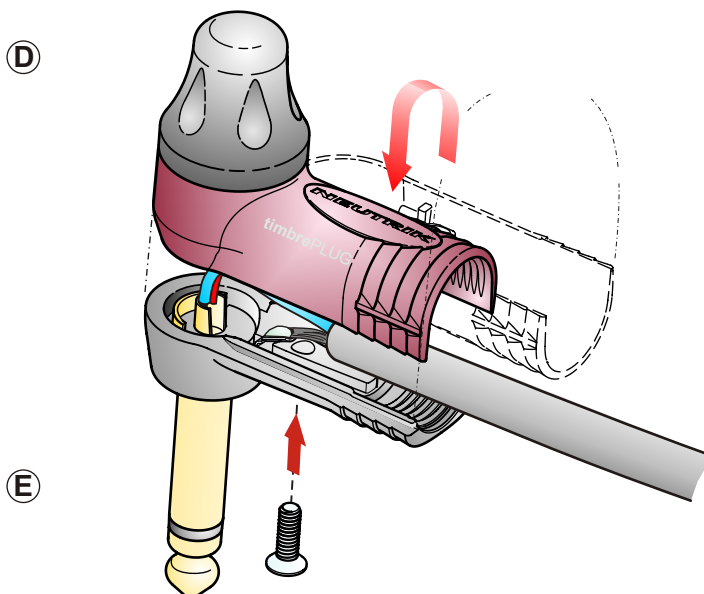
B Cable O.D. 4.0 - 7.0 mm [0.16 - 0.27"]

Prepare cable as shown.

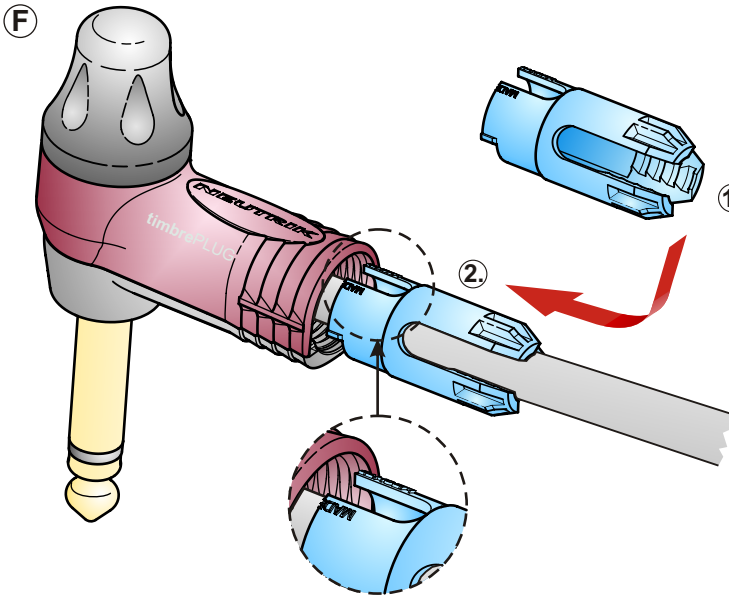


Position the red cover next to the shell:

1. Solder the red cable (TIMBRE) combined with the hot wire to the TIP lug.
2. Solder the SHIELD to the ground lug.

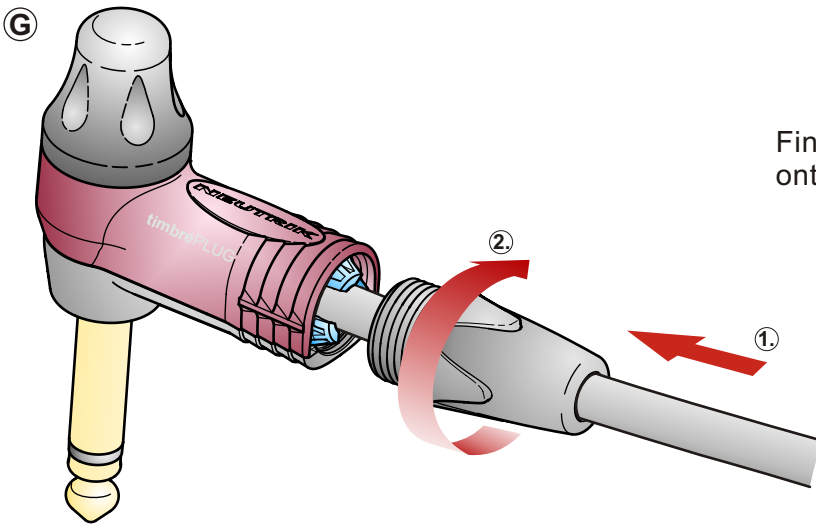


Position the cover on the shell (D) and fix it with a screw driver (Pozidrive® #1) the screw (E).

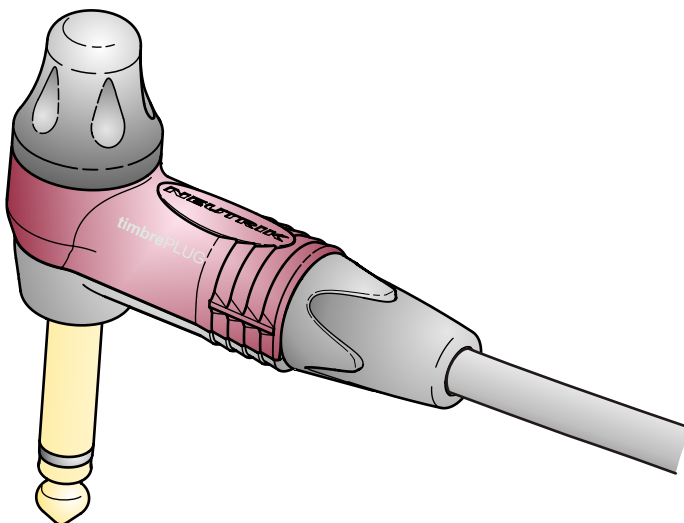


Position the chuck on to the cable and move it into the housing.

Attention: Pay attention to the guiding key of the chuck.



Finish the installation by tighten the bushing onto the connector.



FINISH

NEUTRIK AG	LI	T: +423 / 237 24 24	F: +423 / 232 53 93	NEUTRIK France	FR	T: +33 1 / 4131 6750	F: +33 1 / 4131 0511
NEUTRIK USA Inc.	USA	T: +1 704 / 972 3050	F: +1 704 / 438 9202	NEUTRIK Tokyo Ltd.	JP	T: +81 3 / 3663 4733	F: +81 3 / 3663 4796
NEUTRIK (UK) Ltd.	UK	T: +44 1983 / 811 441	F: +44 1983 / 811 439	NEUTRIK Hong Kong Ltd.	HK	T: +852 / 2687 6055	F: +852 / 2687 6052
NEUTRIK Vertriebs GmbH	DE / NL / AT / DK	T: +49 8131 / 280 890	F: +49 8131 / 280 830	NEUTRIK India Pvt. Ltd.	IND	T: +91 / 982 05 43 424	F: +91 / 22 26163 540