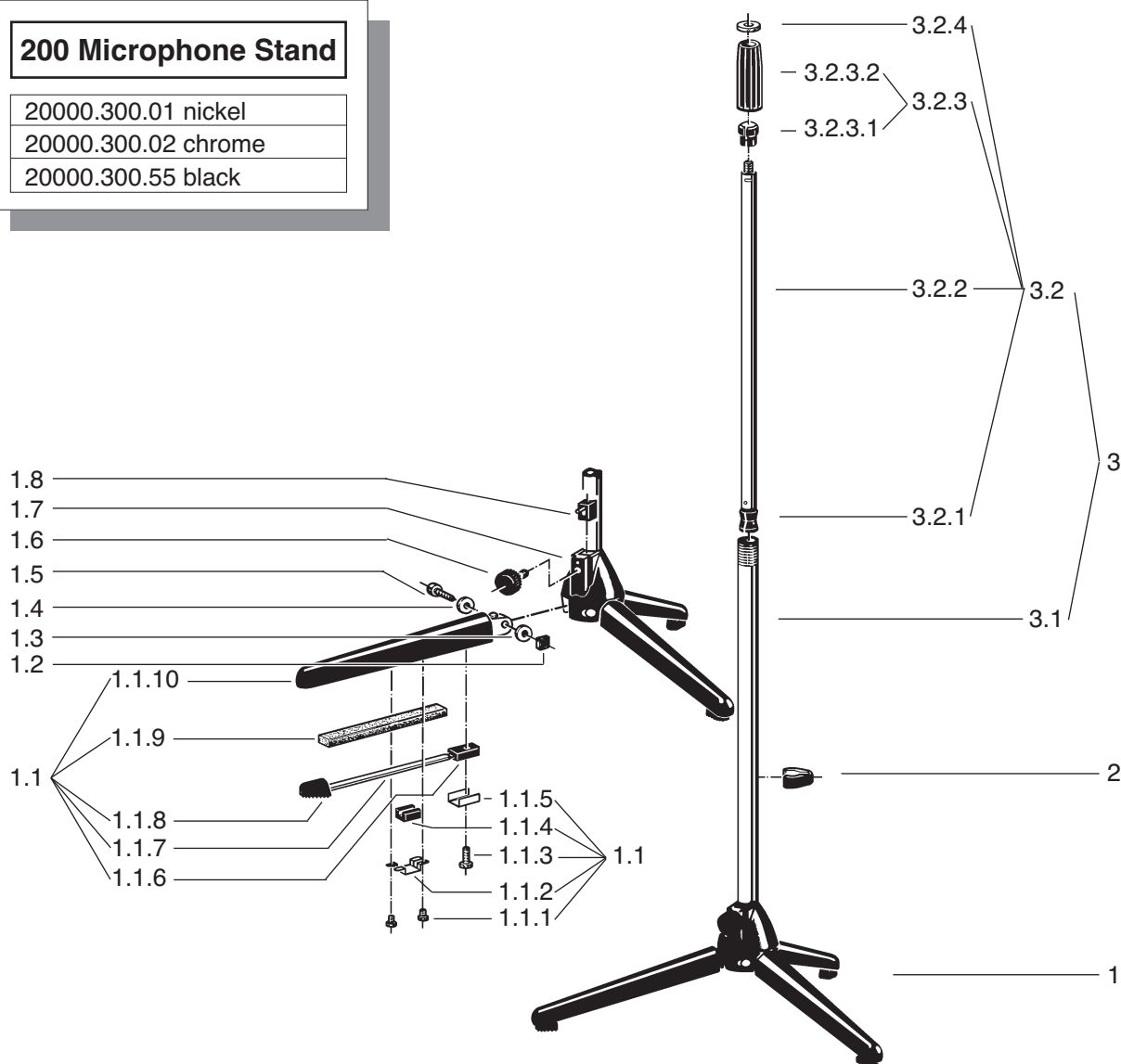


### 200 Microphone Stand

- 20000.300.01 nickel
- 20000.300.02 chrome
- 20000.300.55 black



pos.	description	art.-no. nickel	art.-no. chrome	art.-no. black	qty
1	complete base, consisting of:	7.200.001255	7.200.001255	7.200.001255	1
1.1	complete leg, consisting of:	6.20000.1.55	6.20000.1.55	6.20000.1.55	3
1.1.1	head cap screw M4 x 6 mm	03.05.110.01	03.05.110.01	03.05.110.01	2
1.1.2	fastening plate	01.38.600.01	01.38.600.01	01.38.600.01	1
1.1.3	slotted fillister head bolt	03.05.364.01	03.05.364.01	03.05.364.01	1
1.1.4	grooved rubber fitting	03.21.351.55	03.21.351.55	03.21.351.55	1
1.1.5	U-clamp	01.28.050.01	01.28.050.01	01.28.050.01	1
1.1.6	rubber fitting	03.21.200.55	03.21.200.55	03.21.200.55	1
1.1.7	absorber rod	01.03.320.01	01.03.320.01	01.03.320.01	1
1.1.8	rod end cap / foot	03.20.020.55	03.20.020.55	03.20.020.55	1
1.1.9	rubber insulator strip	03.22.630.00	03.22.630.00	03.22.630.00	1
1.1.10	leg	02.41.330.55	02.41.330.55	02.41.330.55	3
1.2	locking nut	03.08.210.29	03.08.210.29	03.08.210.29	3
1.3	washer	01.28.011.01	01.28.011.01	01.28.011.01	3
1.4	insulator washer	03.21.430.59	03.21.430.59	03.21.430.59	3
1.5	allen screw	03.02.165.00	03.02.165.00	03.02.165.00	1
1.6	toggle screw M6 x 25 mm	01.82.951.55	01.82.951.55	01.82.951.55	1
1.7	socket	02.41.135.55	02.41.135.55	02.41.135.55	1
1.8	plastic locking spacer	6.86642.1.55	6.86642.1.55	6.86642.1.55	1
2	plastic cable holder	01.85.970.55	01.85.970.55	01.85.970.55	1
3	rod combination cpl., consisting of:	7.200.030801	7.200.030802	7.200.030855	1
3.1	base rod	02.75.420.01	02.75.420.02	02.75.420.55	1
3.2	extension rod cpl., consisting of:	7.200.030701	7.200.030702	7.200.030755	1
3.2.1	plastic stop	01.85.070.55	01.85.070.55	01.85.070.55	1
3.2.2	extension rod with 3/8" thread	7.200.030901	7.200.030902	7.200.030955	1
3.2.3	sleeve assembly cpl., consisting of:	7.200.000555	7.200.000555	7.200.000555	1
3.2.3.1	plastic ring	01.86.820.55	01.86.820.55	01.86.820.55	1
3.2.3.2	plastic tightening sleeve	01.86.920.55	01.86.920.55	01.86.920.55	1
3.2.4	aluminum threaded washer	03.31.525.00	03.31.525.00	03.31.550.15	1