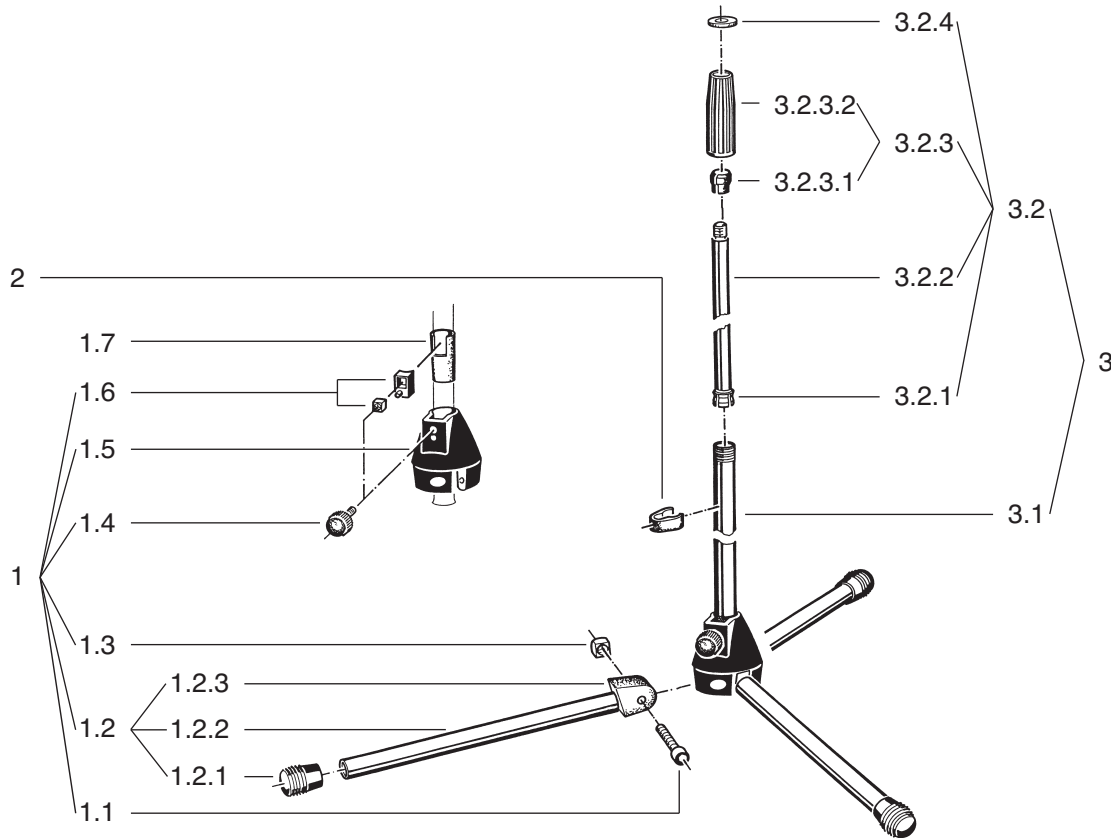


201 A/2 Microphone Stand

20130.300.01 nickel

20130.300.55 black



pos.	description	art.-no. nickel	art.-no. black	qty
1	complete base, consisting of:	7.201.300201	7.201.300255	1
1.1	allen screw M5 x 30 mm	03.02.165.00	03.02.165.00	3
1.2	complete leg, consisting of:	6.83505.1.01	6.83505.1.55	3
1.2.1	end-caps	01.84.980.55	01.84.980.55	1
1.2.2	leg tubing	02.83.505.01	02.83.505.55	1
1.2.3	plastic connector joint	01.87.930.55	01.87.930.55	1
1.3	locking nut M5	03.08.210.29	03.08.210.29	3
1.4	knurled knob	01.82.951.55	01.82.951.55	1
1.5	socket	02.41.135.55	02.41.135.55	1
1.6	plastic locking spacer with nut cpl.	6.86642.1.55	6.86642.1.55	1
1.7	spacer ring	01.86.260.55	01.86.260.55	1
2	plastic cable holder ø 20 mm	01.85.970.55	01.85.970.55	1
3	rod combination cpl., consisting of:	7.200.030801	7.200.030855	1
3.1	base rod	02.75.420.01	02.75.420.55	1
3.2	extension rod cpl., consisting of:	7.200.030701	7.200.030755	1
3.2.1	plastic stop ø 13 mm	01.85.070.55	01.85.070.55	1
3.2.2	extension rod with 3/8" thread	7.200.030901	7.200.030955	1
3.2.3	sleeve assembly cpl., consisting of:	7.200.000501	7.200.000555	1
3.2.3.1	plastic ring	01.86.820.55	01.86.820.55	1
3.2.3.2	plastic tightening sleeve	01.86.920.55	01.86.920.55	1
3.2.4	aluminum threaded washer 3/8"	03.31.525.00	03.31.550.15	1