

PLATINUM FLX™

user manual

©2016 **ELATION PROFESSIONAL** all rights reserved. Information, specifications, diagrams, images, and instructions herein are subject to change without notice. ELATION PROFESSIONAL logo and identifying product names and numbers herein are trademarks of ELATION PROFESSIONAL. Copyright protection claimed includes all forms and matters of copyrightable materials and information now allowed by statutory or judicial law or hereinafter granted. Product names used in this document may be trademarks or registered trademarks of their respective companies and are hereby acknowledged. All non-ELATION brands and product names are trademarks or registered trademarks of their respective companies.

ELATION PROFESSIONAL and all affiliated companies hereby disclaim any and all liabilities for property, equipment, building, and electrical damages, injuries to any persons, and direct or indirect economic loss associated with the use or reliance of any information contained within this document, and/or as a result of the improper, unsafe, insufficient and negligent assembly, installation, rigging, and operation of this product.

Elation Professional USA | 6122 S. Eastern Ave. | Los Angeles, CA. 90040
 323-582-3322 | 323-832-9142 fax | www.elationlighting.com | info@elationlighting.com

Elation Professional B.V. | Junostraat 2 | 6468 EW Kerkrade, The Netherlands
 +31 45 546 85 66 | +31 45 546 85 96 fax | www.elationlighting.eu | info@elationlighting.eu

DOCUMENT VERSION

 Please check www.elationlighting.com for the latest revision/update of this manual.

Date	Document Version	Software Version	DMX Channel Modes	Notes
11/23/15	1	≥1.3.0	24 / 26 / 37	Initial release.
2/9/16	2	≥1.5.2	24 / 26 / 37	Added notes to CMY, Animation, and Static-Stamped Gobo Wheel Rotation Effects DMX values, which will NOT function in BEAM mode. Added sACN network protocol support. Added Focus/Focus Fine override control when using Auto Focus/Auto Focus Fine.
4/23/16	3	≥1.5.2	24 / 26 / 37	Updated Error Code section.

C O N T E N T S

General Information	4
Warranty	6
Safety Instructions	7
General Guidelines	8
Discharge Lamp Warning	9
Fixture Overview	10
Lamp Installation	11
Fixture Installation	17
Fixture Menu	20
DMX Channel Functions And Values \geq ver1.3.0	30
DMX Channel Functions And Values \geq ver1.5.2	37
Error Codes	44
Cleaning and Maintenance	49
Technical Specifications	50
Optional Accessories	53

GENERAL INFORMATION

INTRODUCTION

Congratulations, you have just purchased one of the most innovative and reliable lighting fixtures on the market today! This fixture has been designed to perform reliably for years when the guidelines in this booklet are followed. Please read and understand the instructions in this manual carefully and thoroughly before attempting to operate this unit. These instructions contain important information regarding safety during use and maintenance.

UNPACKING

Every fixture has been thoroughly tested and has been shipped in perfect operating condition. Carefully check the shipping carton for damage that may have occurred during shipping. If the carton appears to be damaged, carefully inspect your unit for damage and be sure all accessories necessary to operate the unit have arrived intact. In the event damage has been found or parts are missing, please contact our customer support team for further instructions. Please do not return this unit to your dealer without first contacting customer support at the number listed below. Please do not discard the shipping carton in the trash. Please recycle whenever possible.

BOX CONTENTS

- (2) Omega Brackets
- (1) 5pin DMX Cable
- (1) powerCON Cable
- (1) Safety Cable

CUSTOMER SUPPORT

Elation Professional® provides a customer support line, to provide set up help and to answer any question should you encounter problems during your set up or initial operation. You may also visit us on the web at www.elationlighting.com for any comments or suggestions. For service related issue please contact Elation Professional®.

ELATION SERVICE USA - Monday - Friday 8:00am to 5:00pm PST

Voice: 323-582-3322

Fax: 323-832-9142

E-mail: support@elationlighting.com

ELATION SERVICE EUROPE - Monday - Friday 08:30 to 17:00 CET

Voice: +31 45 546 85 30

Fax: +31 45 546 85 96

E-mail: support@elationlighting.eu

WARRANTY REGISTRATION

Please complete and mail in the enclosed warranty card or register online: <http://www.elationlighting.com/Login.aspx> to validate your purchase. All returned service items whether under warranty or not, must be freight pre-paid and accompany a return authorization (R.A.) number. The R.A. number must be clearly written on the outside of the return package. A brief description of the problem as well as the R.A. number must also be written down on a piece of paper and included in the shipping container. If the unit is under warranty, you must provide a copy of your proof of purchase invoice. Items returned without a R.A. number clearly marked on the outside of the package will be refused and returned at customer's expense. You may obtain a R.A. number by contacting customer support.

IMPORTANT NOTICE!

There are no user serviceable parts inside this unit. Do not attempt any repairs yourself; doing so will void your manufactures warranty. Damages resulting from modifications to this fixture and/or the disregard of safety and general user instructions found in this user manual void the manufactures warranty and are not subject to any warranty claims and/or repairs.

LIMITED WARRANTY

A. Elation Professional® hereby warrants, to the original purchaser, Elation Professional® products to be free of manufacturing defects in material and workmanship for a period of two years (730 days), and Elation Professional® product rechargeable batteries to be free of manufacturing defects in material and workmanship for a period of six months (180 days), from the original date of purchase. This warranty excludes discharge lamps and all product accessories. This warranty shall be valid only if the product is purchased within the United States of America, including possessions and territories. It is the owner's responsibility to establish the date and place of purchase by acceptable evidence, at the time service is sought.

B. For warranty service, send the product only to the Elation Professional® factory. All shipping charges must be pre-paid. If the requested repairs or service (including parts replacement) are within the terms of this warranty, Elation Professional® will pay return shipping charges only to a designated point within the United States. If any product is sent, it must be shipped in its original package and packaging material. No accessories should be shipped with the product. If any accessories are shipped with the product, Elation Professional® shall have no liability what so ever for loss and/or or damage to any such accessories, nor for the safe return thereof.

C. This warranty is void if the product serial number and/or labels are altered or removed; if the product is modified in any manner which Elation Professional® concludes, after inspection, affects the reliability of the product; if the product has been repaired or serviced by anyone other than the Elation Professional® factory unless prior written authorization was issued to purchaser by Elation Professional®; if the product is damaged because not properly maintained as set forth in the product instructions, guidelines and/or user manual.

D. This is not a service contract, and this warranty does not include any maintenance, cleaning or periodic check-up. During the periods as specified above, Elation Professional® will replace defective parts at its expense, and will absorb all expenses for warranty service and repair labor by reason of defects in material or workmanship. The sole responsibility of Elation Professional® under this warranty shall be limited to the repair of the product, or replacement thereof, including parts, at the sole discretion of Elation Professional®. All products covered by this warranty were manufactured after January 1, 1990, and bare identifying marks to that effect.

E. Elation Professional® reserves the right to make changes in design and/or performance improvements upon its products without any obligation to include these changes in any products theretofore manufactured.

F. No warranty, whether expressed or implied, is given or made with respect to any accessory supplied with the products described above. Except to the extent prohibited by applicable law, all implied warranties made by Elation Professional® in connection with this product, including warranties of merchantability or fitness, are limited in duration to the warranty periods set forth above. And no warranties, whether expressed or implied, including warranties of merchantability or fitness, shall apply to this product after said periods have expired. The consumer's and/or dealer's sole remedy shall be such repair or replacement as is expressly provided above; and under no circumstances shall Elation Professional® be liable for any loss and/or damage, direct and/or consequential, arising out of the use of, and/or the inability to use, this product.

G. This warranty is the only written warranty applicable to Elation Professional® products and supersedes all prior warranties and written descriptions of warranty terms and conditions heretofore published.

SAFETY INSTRUCTIONS



This fixture is an extremely sophisticated piece of electronic equipment. To guarantee a smooth operation, it is important to follow the guidelines in this manual. The manufacturer of this device will not accept responsibility for damages resulting from the misuse of this fixture due to the disregard of the information printed in this manual.



This device falls under **PROTECTION CLASS 1**. It's essential this device be grounded properly. Only qualified personnel should perform all electrical connections.



I N D O O R S U S E O N L Y !
DO NOT EXPOSE FIXTURE RAIN AND MOISTURE!



UNPLUG POWER BEFORE SERVICING FIXTURE!
DO NOT PLUG FIXTURE INTO A DIMMER PACK!
NEVER TOUCH FIXTURE DURING OPERATION, AS IT MAY BE HOT!



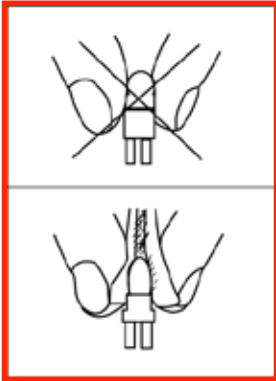
NEVER LOOK DIRECTLY INTO THE LIGHT SOURCE!
SENSITIVE PERSONS MAY SUFFER AN EPILEPTIC SHOCK!

- For proper operation, follow the **Installation** guidelines described in this manual. Only qualified and certified personnel should perform installation of this fixture and only the original rigging parts (brackets) included with this fixture should be used for installation. Any modifications will void the original manufacturer's warranty and increase the risk of damage and/or personal injury.
- Never look directly into the light source of this fixture to prevent risk of injury to your retina, which may induce blindness. Those suffering from **EPILEPSY** should avoid looking directly into the light source of this unit at all times.
- The fan and air inlets must remain clean and never blocked. Allow approx. 6" (15cm) between this fixture and other devices or a wall for proper cooling.
- Always disconnect from main power source before performing any type of service and/or cleaning procedure. Only handle the power cord by the plug end, never pull out the plug by tugging the wire portion of the cord.
- Do not operate this fixture if the power cord has become frayed, crimped and/or damaged. If the power cord is damaged, replace it immediately with a new one of similar power rating.

GENERAL GUIDELINES


- **NEVER OPEN THIS FIXTURE WHILE IN USE!**
- During the initial operation of this fixture, a light smoke or smell may emit from the interior of the fixture. This is a normal process and is caused by excess paint in the interior of the casing burning off from the heat associated with the lamp and will decrease gradually over time.
- This fixture is a professional lighting effect designed for **INDOOR / DRY LOCATIONS ONLY** on stage, in nightclubs, theatres, etc.
- Please make sure there are **NO FLAMMABLE MATERIALS** close to the fixture while operating, to prevent any fire hazard.
- The fixture must be installed in a location with adequate ventilation, at least 1.5 feet (.5m) from adjacent surfaces. Be sure no air ventilation slots are blocked.
- **DO NOT** attempt installation and/or operation without knowledge how to do so.
- **DO NOT** permit operation by persons who are not qualified to operate this type of fixture. Most damages are the result of operations by nonprofessionals.
- Consistent operational breaks may ensure the fixture will function properly for many years to come.
- **DO NOT** shake fixture, avoid brute force when installing and/or operating fixture.
- Always install the fixture with an appropriate safety cable. When installing the fixture in a suspended environment, always use mounting hardware that is no less than M10 x 25 mm, also be sure the hardware is insert in the pre-arranged screw holes in the bracket of the fixture.
- Use the original packaging and materials to transport the fixture in for service.
- **DO NOT TOUCH** the housing bare-hand during its operation. Turn OFF the power and allow approximately 15 minutes for the fixture to cool down before replacing or serving.

DISCHARGE LAMP WARNING



This fixture is fitted with a DISCHARGE LAMP, which is highly susceptible to damage if improperly handled. NEVER touch the lamp with your bare hands, as the oil from your hands will shorten the life of the lamp. Also, NEVER move the fixture until the lamp has had ample time to cool. Lamps are NOT covered under warranty conditions.

Avoid switching the fixture ON and OFF repeatedly in short intervals, as this will reduce lamp life and intensity. To achieve the intensity associated with discharge lamps, these lamps use gas sealed in a high-pressure environment to emit a brilliant output.

 Due to the high pressure involved with the construction of the lamp, the lamp **MAY EXPLODE DURING PROLONGED EXTENSIVE USE**. This risk is increased with age; added care is encouraged when dealing with older lamps. Thus, the lamp must always be replaced at the end of their recommended duty cycle. Extreme caution should be used when operating this or any fixture fitted with a gas discharge lamp.



U V R A D I A T I O N N O T I C E

This fixture emits intense UV radiation, which is harmful to the eyes and skin. The intense luminance of the lamp can cause severe damage to the retina. NEVER operate this fixture with ANY of the protective covers removed. These covers have been specially designed to shield against UV radiation.

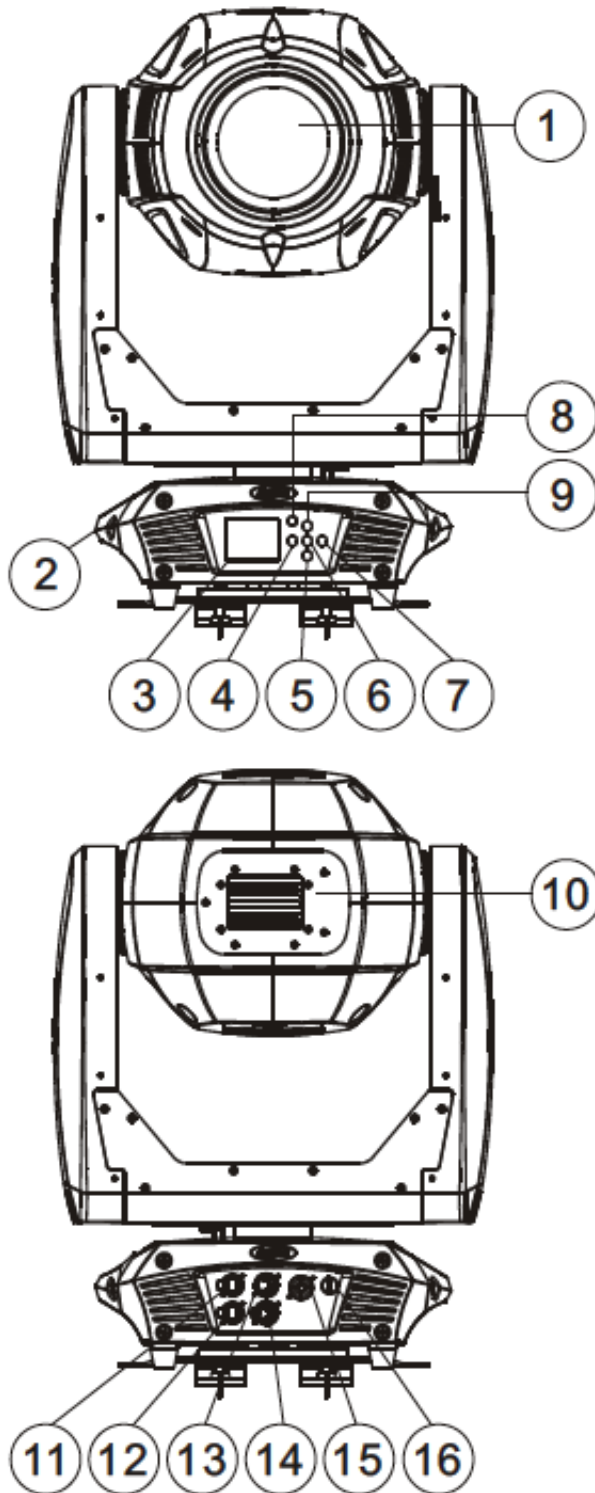


L A M P R E P L A C E M E N T

Please note that due to the nature of the Philips™ Platinum 20R Lamp and the optical path of the fixture, the lamp **MUST BE** replaced at 1,500 hours.

Use only Genuine Original Philips™ Platinum 20R Lamps. Other brand lamps may cause damage and void warranty!

FIXTURE OVERVIEW



1. Lens
2. Carrying Handle(s)
3. LCD Menu Function Display
4. LEFT Button
5. DOWN Button
6. ENTER Button
7. RIGHT Button
8. MODE/ESC Button
9. UP Button
10. Lamp Access/Cover Panel
11. RJ45 Input
12. RJ45 Output
13. 5pin DMX Input
14. 5pin DMX Output
15. powerCON Input
16. Fuse

LAMP INSTALLATION



LAMP REPLACEMENT

Please note that due to the nature of the Philips™ Platinum 20R Lamp and the optical path of the fixture, the lamp **MUST BE** replaced at 1,500 hours.

Use only Genuine Original Philips™ Platinum 20R Lamps. Other brand lamps may cause damage and void warranty!

INSTALLING OR REPLACING THE LAMP

To ensure a proper/safe lamp change, carefully read all the following instructions.

LAMP PROTECTION CIRCUITRY

Because of the nature of the extreme heat associated with the Philips™ Platinum 20 R lamp and the tight nature of the internal optical system, it is **IMPERATIVE** that the lamp be replaced every **1,500 Hours**. This is done to protect the internal optical system as well as prevent accidental lamp explosion, which could lead to hot glass particles falling from the fixture.



FAILURE TO CHANGE THE LAMP WITHIN 300 HOUR of the 1,500 HOUR RATED LIFE, WILL CAUSE THE FIXTURE TO AUTOMATICALLY SHUT DOWN!

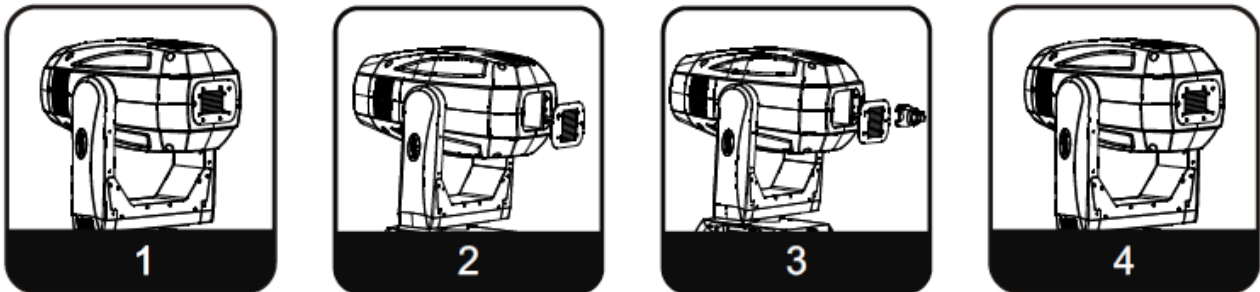
At **1,500 Hours** the LCD control display will begin to flash, **“Replace The Lamp”** and the lamp will flicker for the first five minutes of operation. At this point the lamp has reached the maximum rated life and should be replaced immediately. After the lamp has flickered for about five minutes it should strike normally allowing the fixture to be used temporarily until a replacement lamp can be installed. The fixture will continue to operate for an additional 300 hours, however the **“Replace the Lamp”** warning will continue to flash in the display. Keep in mind that the flicker protection circuitry will only work for about 300 Hours (lamp clock life of 1,500-1,800 Hours).

After 1,800 Hours the fixture will no longer respond to DMX commands and immediately enter a hibernation mode that will electronically discontinue all fixture functionality with the exception of a few menu commands. The fixture will continue to enter hibernation mode until the lamp is replaced and the lamp clock has been reset. To replace the lamp follow the safety guidelines and procedures listed on the next page.

LAMP SAFETY INSTRUCTIONS

- **ALWAYS** replace lamp every 1,500 Hours.
- Use only Genuine Original Philips™ Platinum 20R lamps.
Other brand lamps may cause damage and void the warranty!
- NEVER touch the lamp with your bare hands!
Oil from your hands will shorten the life of the lamp.
- Always disconnect the fixture's main power supply before replacing lamp.
- Allow fixture to cool for at least 15 minutes before attempting any type of service.
- Make sure ALL covers/panels are replaced/secured before operating the fixture to prevent any risk and/or damage to eye retina from UV Radiation exposure!

LAMP INSTALLATION PROCEDURE



1. Place fixture on a flat surface and remove (3) screws marked "A", "B", and "C" and then remove lamp cover to access the lamp. (See below)



LAMP INSTALLATION PROCEDURE - [continued]

2. Gently remove **(2) Wires** connected to spade terminals on lamp. (See below)



3. Loosen main retaining screw by turning counterclockwise. (See below)

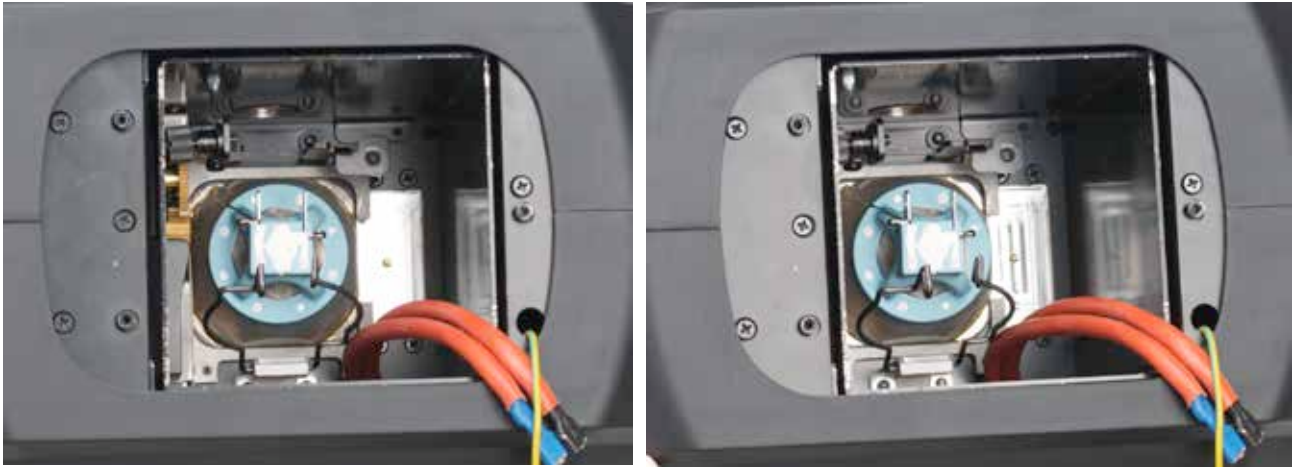


4. Pull retaining bracket towards you and to the left side. (See below)



LAMP INSTALLATION PROCEDURE - [continued]

5. Pull retention clips towards you away from the lamp. (See below)



6. Using two fingers, gently remove old lamp from the fixture. (See below)



7. Using two fingers, gently install new lamp into the fixture. (See above)

8. Push retention clips towards the lamp. (See below)

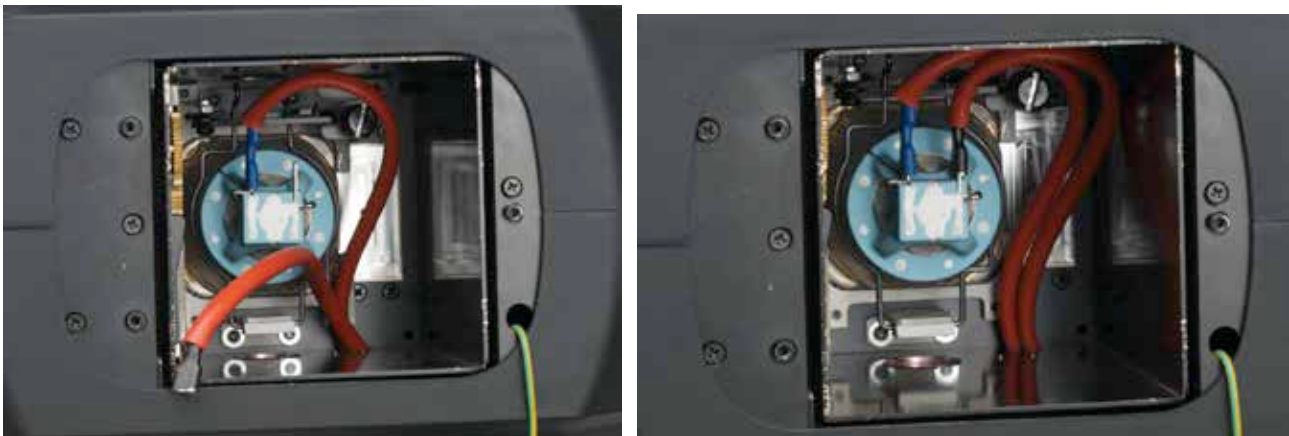


LAMP INSTALLATION PROCEDURE - [continued]

9. Push retaining bracket towards lamp and tighten retaining screw clockwise. (See below)



10. Gently attach **(2) Wires** to spade terminals on the base of the lamp. (See below)



11. Replace lamp cover and secure **(3) screws** marked "A", "B", and "C". (See below)



LAMP INSTALLATION PROCEDURE - [continued]

12. Be sure to reset the **LAMP HOURS** in the system menu to prevent the protection circuitry from accidentally shutting off the lamp during normal operation.
13. If the lamp protection circuitry has already been initiated and the **LAMP HOURS** is not reset, the “**Replace the Lamp**” warning will continue to flash and fixture will eventually shut down. To reset **LAMP HOURS**, see instructions below.

LAMP HOURS RESET PROCEDURE

1. Activate the main menu by pressing **MODE/ESC** and toggle to “**Information**”.
2. Press **ENTER** and press **UP** or **DOWN** to toggle to “**Time Information**”.
3. Press **UP** or **DOWN** to toggle to “**LampTime Password**” and press **ENTER**. Then press **UP** or **DOWN** to enter the reset pass code, “**038**” and press **ENTER** to confirm. The display will automatically revert to “**LampTime Password**”, next press **UP** or **DOWN** to toggle down to “**Clean Lamp Time**”.
4. Press **ENTER** and select “**ON**”. The lamp timer has now been reset, press **MODE/ESC** to exit the menu and return to the home screen.

LAMP OPTIMIZATION

Unlike traditional discharge lamps the **Philips™ Platinum 20R Lamp** does **NOT** require optimization. The lamp orientation and optimization procedure has been preset during the manufacturing process of the lamp.

Please remember the **Philips™ Platinum 20R Lamp** is **NOT** a hot-restrike lamp therefore, you must wait approximately **15 minutes** before you can attempt to restrike the lamp once it has been turned off.

FIXTURE INSTALLATION



FLAMMABLE MATERIAL WARNING

Keep fixture at least 5.0 feet (1.5m) away from any flammable materials, decorations, pyrotechnics, etc.



ELECTRICAL CONNECTIONS

A qualified electrician should be used for all electrical connections and/or installations.



**MINIMUM DISTANCE TO OBJECTS/SURFACES
MUST BE 50 FEET (15 METERS)**



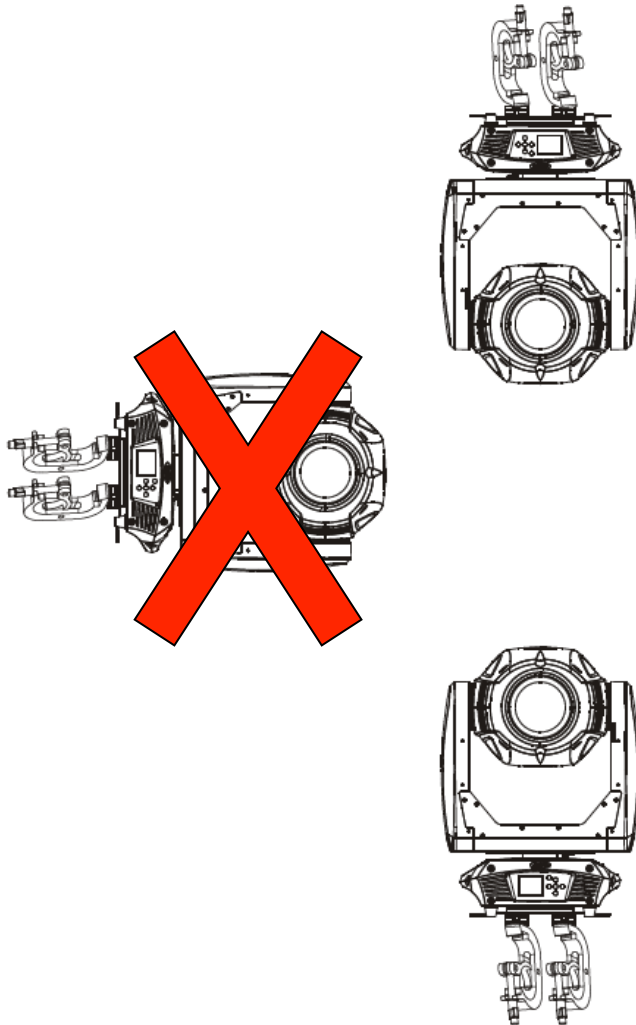
**MAXIMUM TEMPERATURE OF EXTERNAL SURFACE
230° F (110° C)**

CAUTIONS

- For added protection, mount the fixture in areas outside walking paths, seating areas, or in areas where unauthorized personnel might reach the fixture.
- Ambient operating temperature range for this fixture is **14° to 113°F. (-10° to 45°C)**. Do not use the fixture under or above this temperature.
- Before mounting the fixture to any surface, make sure the installation area can hold a minimum point load of 10 times the weight of the fixture.
- Fixture installation must always be secured with a secondary safety attachment, such as an appropriate safety cable.
- Never stand directly below the device when mounting, removing or servicing.

MOUNTING POINTS

Overhead mounting requires extensive experience, including amongst others calculating working load limits, installation material being used, and periodic safety inspection of all installation material and the device. If you lack these qualifications, do not attempt the installation yourself. Improper installation can result in bodily injury. Fixture is fully operational only in the specific mounting positions as illustrated below.

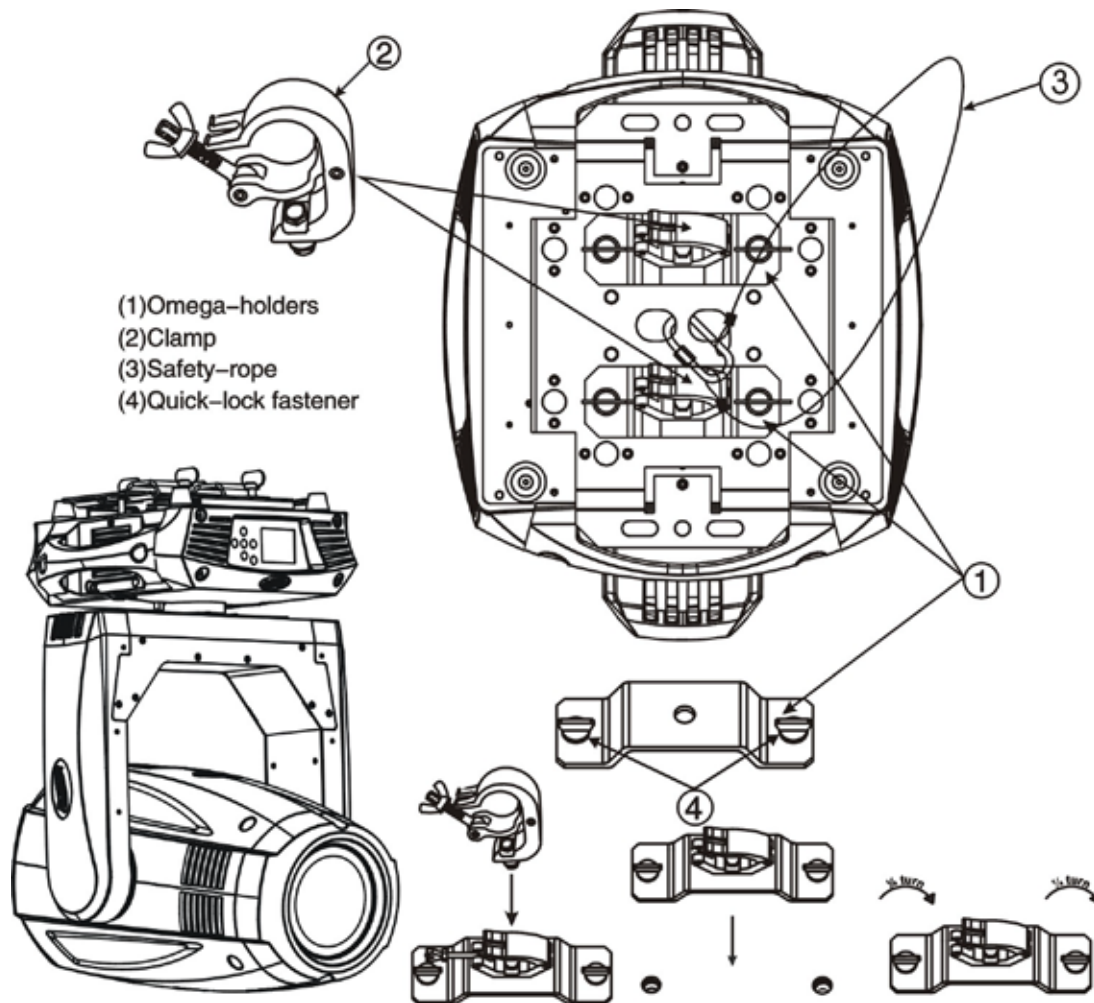


SAFETY CABLE

ALWAYS USE A SAFETY CABLE WHENEVER INSTALLING THIS FIXTURE IN A SUSPENDED ENVIRONMENT TO ENSURE THE FIXTURE WILL NOT DROP IF THE CLAMP FAILS.

CLAMP MOUNTING

The fixture provides a unique mounting bracket assembly that integrates the bottom of the base, the included **Omega Brackets (x2)** and safety cable rigging point in one unit (see the illustration below). When mounting this fixture to truss be sure to secure an appropriately rated clamps to the included omega brackets using a M10 screw fitted through the center hole of the **Omega Bracket**. Be sure to attach an appropriate **Safety Cable** to the fixture using the safety cable rigging point integrated in the base assembly.



SECURING

Regardless of the rigging option you choose for your fixture always be sure to secure your fixture with a safety cable. The fixture provides a built-in rigging point for a safety cable on the hanging bracket as illustrated above. Be sure to only use the designated rigging point for the safety cable and never secure a safety cable to a carrying handle.


FIXTURE MENU

ON-BOARD SYSTEM MENU

The fixture comes with an easy to navigate system menu. The next section will detail the functions of each command in the system menu.

LCD MENU CONTROL PANEL

The control panel (see image below) located on back of the fixture allows you to access the main menu and make all necessary adjustments to the fixture. During normal operation, pressing **MODE/ESC** button once will access the fixture's main menu. Once in the main menu you can navigate through the different functions and access the sub-menus with the **UP, DOWN, RIGHT,** and **LEFT** buttons. Once you reach a field that requires adjusting, press the **ENTER** button to activate that field and use the **UP** and **DOWN** buttons to adjust the field. Pressing the **ENTER** button once more will confirm your setting. You may exit the main menu at any time without making any adjustments by pressing the **MODE/ESC** button.

 **NOTE:** To access the LCD Menu Control Display via the internal battery, press and hold the **MODE/ESC** button for 3 seconds. The LCD Menu Control Display will shut **OFF** automatically about 1 minute from the last button press.



ELATION® PLATINUM FLX™ SYSTEM MENU

Features subject to change without any prior written notice.

Supports Software Versions: ≥ 1.3.0

MAIN MENU	SUB MENU	OPTIONS / VALUES (Default Settings in BOLD)		DESCRIPTION	
FUNCTION	Set DMX Address	A001~AXXX		DMX Address Setting	
	DMX Value	ALL.....		DMX Value Display	
	Slave Mode	Slave1, Slave2, Slave3		Slave Setting	
	Auto Program	Master / Alone		Auto Program	
INFORMATION	Time Information	Current Time	XXXX (Hours)	Fixture Run Time From Power ON	
		Total Run Time	XXXX (Hours)	Fixture Total Run Time	
		Last Run Time	XXXX (Hours)	Clear Fixture Last Run Time	
		Lamp Hours	XXXX (Hours)	Lamp Total Run Time	
		Lamp Off Time	XXXX (Minutes)	Lamp OFF Time	
		LastRun Password	Password=XXX	Password 038	
		Clean Last Run	ON / OFF	Reset Fixture Last Run Time	
		LampTimePassword	Password=XXX	Password 038	
		Clean Lamp Time	ON / OFF	Reset Lamp Run Time	
	Temperature Info	Head Temperature	XXX C° / F°	Temperature in Fixture Head	
	Ethernet IP	XXX . XXX . XXX . XXX XXX . XXX . XXX . XXX	XXX . XXX . XXX . XXX	IP Address	
	Fan Info	1U FAN1:			
	Encode Info	PAN ENCODE:	TILT ENCODE:		
	Software Version	1U01: ≥V1.3.0 ~ 6U:01: ≥V1.3.0		Software Versions	
Error Info	Error Record 1 ~ Error Record 10		Pan....		
LAMP CONTROL	Lamp ON/OFF	ON/ OFF		Lamp ON/OFF	
	Automatic ON	ON/ OFF		Lamp ON/OFF when Power ON	
	Lamp ON via DMX	ON /OFF		Lamp ON via DMX	
	Lamp OFF via DMX	ON /OFF		Lamp OFF via DMX	
	Max ON at Temp	20~79°C (45°C) / 68 ~ 174°F (113°F)		Lamp Restart at Temp	
	Lamp OFF Temp	80~139°C (130°C) / 176 ~ 282°F (266°F)		Lamp OFF at Temp	
PERSONALITY	Status Settings	Address via DMX	ON /OFF	Address Via DMX	
		No DMX Status	Close/ Hold /Auto	Auto Run If No DMX	
		Pan Reverse	ON/ OFF	Pan Reverse Movement	
		Tilt Reverse	ON/ OFF	Tilt Reverse Movement	
		Pan Degree	630/ 540	Pan Degree Select	
		Feedback	ON /OFF	Movement Feedback	
		Movement Speed	Speed 1 ~ 4	Movement Mode Select	
		Hibernation	OFF, 01M~99M, 15M	Stand By Mode	
	Service Setting	Password	Password=XXX		Service Password 050
		RDM PID	XXXXX		RDM PID Code (PSWD Required)
		Ethernet IP	XXX . XXX . XXX . XXX		Ethernet IP (PSWD Required)
		Ethernet Mask IP	XXX . XXX . XXX . XXX		Ethernet Mask IP (PSWD Required)
		Clear Err. Info	ON/ OFF		Clear Error Info (PSWD Required)
		DFLT Pow. LampOn	ON /OFF		Default Power Lamp ON (PSWD Required)
	Display Setting	Shutoff Time	02~60m 05m		Display Shut Off Time
		Display Reverse	ON/ OFF		Display Reverse 180°
		Key Lock	ON/ OFF		Key Lock Feature
	Temperature C/F	Celsius/Fahrenheit		Temperature Switch Between C° / F°	
	Initial Status	Auto Program...		Initial Effect Position	
	Select Signal	DMX Only			DMX Only
		Art-Net on IP2			Elect Art-Net IP02
		Art-Net on IP10			Elect Art-Net IP010
Set Universe	000 - 255		Set Art-Net Universe		
Reset Default	ON/ OFF	Password 011	Restore Factory Settings		

ELATION® PLATINUM FLX™ SYSTEM MENU

Features subject to change without any prior written notice.

Supports Software Versions: ≥ 1.3.0

MAIN MENU	SUB MENU	OPTIONS / VALUES (Default Settings in BOLD)		DESCRIPTION	
Reset Function	Reset All			Reset All Motors	
	Reset Pan&Tilt			Reset Pan/Tilt	
	Reset Colors			Reset Color Wheel	
	Reset Gobos			Reset Gobos	
	Reset Shutter			Reset Shutter and/or Dimmer	
	Reset Others			Reset Other Motors	
Effect Adjust	Test Channel	PAN		Test function	
	Manual Control	PAN =XXX,		Fine Adjustments	
	Calibration	Calibration Password		Password 050	
User Mode Set	User Mode	Standard Mode		DMX Channel Modes	
		Basic Mode			
		Extended Mode			
		User Mode A		User Defined Channel Assignment	
		User Mode B			
	User Mode C				
Edit User Mode	Edit User Mode A	Max Channel = XX PAN = CH01		Edits User Defined Channel Assignments	
	Edit User Mode B				
	Edit User Mode C				
Edit Program	Select Program	Auto Pro Part1 = Program 1~10 (Program 1)		Select Programs To Be Run	
		Auto Pro Part2 = Program 1~10 (Program 2)			
		Auto Pro Part3 = Program 1~10 (Program 3)			
	Edit Program	Program 1	Program Test		Testing Program
		:	Step 01=SCxxx		Program In Loop
		Program 10	Step 64=SCxxx		Save and Exit
	Edit Scenes	Scene 001 ~ Scene 250	Pan,Tilt,.....		Save and Automatically Return
			--Fade Time-- --Scene Time--		Manual Scenes Edit
			Input By Outside		Stores Scenes via Ext DMX Console
Rec. Controller	XX~XX		Automatic Scenes Recorder		

ELATION© PLATINUM FLX™ SYSTEM MENU

Supports Software Versions: ≥ 1.5.2

MAIN MENU	SUB MENU	OPTIONS / VALUES (Default Settings in BOLD)		DESCRIPTION	
FUNCTION	Set DMX Address	A001~AXXX		DMX Address Setting	
	DMX Value	ALL.....		DMX Value Display	
	Slave Mode	Slave1, Slave2, Slave3		Slave Setting	
	Auto Program	Master / Alone		Auto Program	
INFORMATION	Time Information	Current Time	XXXX (Hours)	Fixture Run Time From Power ON	
		Total Run Time	XXXX (Hours)	Fixture Total Run Time	
		Last Run Time	XXXX (Hours)	Clear Fixture Last Run Time	
		Lamp Hours	XXXX (Hours)	Lamp Total Run Time	
		Lamp Off Time	XXXX (Minutes)	Lamp OFF Time	
		LastRun Password	Password=XXX	Password 038	
		Clear Last Run	ON / OFF	Reset Fixture Last Run Time	
		LampTimePassword	Password=XXX	Password 038	
	Clear Lamp Time	ON / OFF	Reset Lamp Run Time		
	Temperature Info	Head Temperature	XXX C° / F°	Temperature in Fixture Head	
	Ethernet IP	XXX . XXX . XXX . XXX XXX . XXX . XXX . XXX	XXX . XXX . XXX . XXX	IP Address	
	Fan Info	1U FAN1: ~ 6U FAN1:			
	Encode Info	PAN ENCODE:	TILT ENCODE:		
Software Version	1U01: V1.5.2 ~ 6U:01: V1.5.2		Software Versions		
Error Info	Error Record 1 ~ Error Record 10		Pan....		
LAMP CONTROL	Lamp ON/OFF	ON/ OFF		Lamp ON/OFF	
	Automatic ON	ON/ OFF		Lamp ON/OFF when Power ON	
	Lamp ON via DMX	ON /OFF		Lamp ON via DMX	
	Lamp OFF via DMX	ON /OFF		Lamp OFF via DMX	
	Max ON at Temp	20~79°C (45°C) / 68 ~ 174°F (113°F)		Lamp Restart at Temp	
	Lamp OFF Temp	80~139°C (130°C) / 176 ~ 282°F (266°F)		Lamp OFF at Temp	
PERSONALITY	Status Settings	Address via DMX	ON /OFF		Address Via DMX
		No DMX Status	Close/ Hold /Auto		Auto Run If No DMX
		Pan Reverse	ON/ OFF		Pan Reverse Movement
		Tilt Reverse	ON/ OFF		Tilt Reverse Movement
		Pan Degree	630/ 540		Pan Degree Select
		Feedback	ON /OFF		Movement Feedback
		Movement Speed	Speed 1 ~ 4		Movement Mode Select
		Hibernation	OFF, 01M~99M, 15M		Stand By Mode
	Service Setting	Password	Password=XXX		Service Password 050
		RDM PID	XXXXX		RDM PID Code (PSWD Required)
		Ethernet IP	XXX . XXX . XXX . XXX		Ethernet IP (PSWD Required)
		Ethernet Mask IP	XXX . XXX . XXX . XXX		Ethernet Mask IP (PSWD Required)
		Clear Err. Info	ON/ OFF		Clear Error Info (PSWD Required)
	Display Setting	DFLT Pow. LampOn	ON /OFF		Default Power Lamp ON (PSWD Required)
		Shutoff Time	02~60m 05m		Display Shut Off Time
		Display Reverse	ON/ OFF		Display Reverse 180°
	Select Signal	Key Lock	ON/ OFF		Key Lock
		Temperature C/F	Celsius/ Fahrenheit		Temperature Switch Between C° / F°
		Initial Status	Auto Program...		Initial Effect Position
		Set Universe	DMX Only		
	Art-Net on IP2				Elect Art-Net IP02
Art-Net on IP10			Elect Art-Net IP010		
Reset Default	ON/ OFF	Password 011		Restore Factory Settings	
		sACN		sACN Protocol	

ELATION© PLATINUM FLX™ SYSTEM MENU				
Supports Software Versions: ≥ 1.5.2				
MAIN MENU	SUB MENU	OPTIONS / VALUES (Default Settings in BOLD)		DESCRIPTION
Reset Function	Reset All			Reset All Motors
	Reset Pan&Tilt			Reset Pan/Tilt
	Reset Colors			Reset Color Wheel
	Reset Gobos			Reset Gobos
	Reset Shutter			Reset Shutter and/or Dimmer
	Reset Others			Reset Other Motors
Effect Adjust	Test Channel	PAN		Test function
	Manual Control	PAN =XXX,		Fine Adjustments
	Calibration	Calibration Password		Password 050
User Mode Set	User Mode	Standard Mode		DMX Channel Modes
		Basic Mode		
		Extended Mode		
		User Mode A		User Defined Channel Assignment
	User Mode B			
	User Mode C			
	Edit User Mode	Edit User Mode A	Max Channel = XX	PAN = CH01
Edit User Mode B				
Edit User Mode C				
Edit Program	Select Program	Auto Pro Part1 = Program 1~10 (Program 1)		Select Programs To Be Run
		Auto Pro Part2 = Program 1~10 (Program 2)		
		Auto Pro Part3 = Program 1~10 (Program 3)		
	Edit Program	Program 1	Program Test	Testing Program
		:	Step 01=SCxxx	Program In Loop
		Program 10	Step 64=SCxxx	Save and Exit
	Edit Scenes	Scene 001	Pan,Tilt,.....	Save and Automatically Return
		~	--Fade Time--	Manual Scenes Edit
		Scene 250	--Scene Time--	
Rec. Controller	XX~XX		Stores Scenes via Ext DMX Console	
			Automatic Scenes Recorder	

FUNCTION - Auto Program

Define fixture mode (**Master or Alone**) for running Auto Programs. Select desired internal programs under “**Select Program**”, set the number of steps under “**Edit Program**”, and edit individual scenes under “**Edit Scenes**”.

LAMP CONTROL - Max ON at Temp

The fixture is designed to shut the lamp OFF when an excessive temperature is sensed inside the head by the on-board CPU. The lamp is shut OFF to prevent damage to the lamp and avoid possible internal damage to the fixture head. This function sets the MIN internal operating temperature of the fixture head before the lamp will restrike after the lamp has been automatically shut OFF.

LAMP CONTROL - Lamp OFF Temp

The fixture is designed to shut the lamp OFF when an excessive temperature is sensed inside the head by the on-board CPU. The lamp is shut OFF to prevent damage to the lamp and avoid possible internal damage to the fixture head. This function sets the MAX internal operating temperature of the fixture head when the lamp will automatically be shut OFF.

PERSONALITY - Status Settings - Address Via DMX

When ON, define the desired DMX address via an external controller.

1. Connect the fixture to the external controller and power ON.
2. Set the DMX value of **Channel 1** on the controller to **(7)**.
3. Set the DMX value of **Channel 2** on the controller to **(7)** or **(8)**.
 When set to **(7)**, the DMX address can be set between **(1)** and **(255)**.
 When set to **(8)**, the DMX address can be set between **(256)** and **(511)**.
4. Using **Channel 3** on the controller set the desired DMX address of the fixture.

Example 1:

If the desired DMX address is **57**, set **Channel 1** to a value of **(7)**, set **Channel 2** to a value of **(7)**, and then set **Channel 3** to a value of **(57)**.


Example 2:

If the desired DMX address is **420**, set **Channel 1** to a value of **(7)**, set **Channel 2** to a value of **(8)**, and then set **Channel 3** to a value of **(164)**. (256+164=420)

5. After setting **Channel 3** to the desired DMX address value, wait for approximately 20 seconds for the fixture to complete the address reset function.

PERSONALITY – Service Setting - Password

Service Password - **(050)**

 **NOTE:** The Service Password MUST be entered in order to access the following menus: **RDM PID, Ethernet IP, Ethernet IP Mask, Clear Err. Info, and DFLT Pow. LampOn.**

PERSONALITY – Service Setting - RDM PID

Select various submenus via RDM.

RDM stands for "Remote Device Management", which provides the ability to control the device remotely while connected to a DMX-bus. ANSI E1.20-2006 by ESTA specifies the RDM standard as an extension of the DMX512 protocol. Manual settings like adjusting the DMX starting address are no longer needed. This is especially useful when the device is installed in a remote area.

RDM ready and conventional DMX devices can be operated in one DMX line. The RDM protocol sends its own packages in the DMX512 data feed and does not influence conventional devices. If DMX splitters are used and RDM control is to be used, these splitters must support RDM. The number and type of RDM parameters depend on the RDM controller being used.

PERSONALITY - Display Setting – Key Lock

When ON, Control Panel buttons lock automatically after exiting main menu for 15 seconds. To unlock, keep **MODE/ESC** button pressed for 3 seconds.

PERSONALITY – Select Signal - sACN



NOTE: When selecting the **sACN** protocol, Set Universe must be set to a universe number between **001-255**. It cannot be set to 000 otherwise the fixture will not respond to the **sACN** network.

EFFECT ADJUST – Test Channel

Select and auto test each individual channel function independently from the DMX control board.

EFFECT ADJUST – Manual Control

Select and manually test and fine adjust each individual channel function independently from DMX control board. This function will center PAN and TILT motors and set dimmer to 100%. PAN and TILT functions will still operate if the fixture needs to be positioned to a flat clear surface. With the individual functions, you can focus the light on a flat surface (wall) and perform fine adjustments.

EFFECT ADJUST – Calibration



ONLY QUALIFIED TECHNICIANS SHOULD PERFORM THIS FUNCTION.

This function allows small adjustments to be made to the effect wheels (Color, Gobo, Shutter, etc.) to compensate for wear or in the event a sensor has been knocked slightly out of place. Because improper use of this function can result in undesired operation this function has been password protected. The password is **050** and must be entered each time the calibration menu function is entered. Because calibration is an extremely delicate procedure, instructions on performing this action are left out of this manual. For a first time calibrator, please contact our customer support team for step-by-step instructions.

USER MODE SET – Edit User Mode

Create user defined channel orders allowing the fixture to match the channel order of other fixtures on the market for easier operation. A total of three user modes may be configured: User Mode A, User Mode B, and User Mode C.

EDIT PROGRAM – Rec. Controller

The fixture features an integrated DMX-recorder by which you can transmit the programmed scenes from your DMX-controller to the moving head. Adjust the desired scene numbers via the encoder (from – to). When you call up the scenes at your controller, they will automatically be transmitted to the moving head.

EDIT PROGRAM – Record Controller – Working With Built In Programs

A Master unit can send up to 3 different data groups to the Slave units, i.e. a Master unit can start 3 different Slave units, which run 3 different programs. The Master unit sends the 3 program parts in a continuous loop.



The Slave unit receives data from the Master unit according to the group which the Slave unit was assigned to. If e.g. a Slave unit is set to **“Slave 1”** in the menu **“Set to Slave”**, the Master unit sends **“Auto Program Part 1”** to the Slave unit.

If set to **“Slave 2”**, the Slave unit receives **“Auto Program Part 2”**.

EDIT PROGRAM – Record Controller – Working With Built-In Program [continued]

To start an Auto Program proceed as follows:

1. Slave Setting

- Select “**Function Mode**”.
- Press **ENTER** to confirm.
- Select “**Set to Slave**”.
- Press **ENTER** to confirm.
- Select “**Slave 1**”, “**Slave 2**” or “**Slave 3**”.
- Press **ENTER** to confirm.
- Press **MODE/ESC** in order to return to the main menu.

2. Automatic Program Run

- Select “**Function Mode**”.
- Press **ENTER** to confirm.
- Select “**Auto Program**”.
- Press **ENTER** to confirm.
- Select “**Master**” or “**Alone**”.
- Press **ENTER** to confirm.
- Press **MODE/ESC** in order to return to the main menu.

3. Program Selection for Auto Pro Part

- Select “**Edit Program**”.
- Press **ENTER** to confirm.
- Select “**Select Programs**”.
- Press **ENTER** to confirm.
- Select “**Auto Pro Part 1**”, “**Auto Pro Part 2**” or “**Auto Pro Part 3**”, and select which Slave program is to be sent. Selection “**Part 1**” means, that the Slave unit runs the same program as the master units.
- Press **ENTER** to confirm.
- Press **MODE/ESC** in order to return to the main menu.

EDIT PROGRAM – Record Controller – Working With Built-In Program [continued]

4. Program Selection for Edit Program

- Select “**Edit Program**”.
- Press **ENTER** to confirm.
- Select “**Edit Program**”.
- Press **ENTER** to confirm.
- Select the desired program. With this function you can edit specific scenes into a specific program.
- Press **ENTER** to confirm.
- Press **MODE/ESC** in order to return to the main menu.

5. Automatic Scene Recording

- Select “**Edit Program**”.
- Press **ENTER** to confirm.
- Select “**Edit Scenes**”.
- Select desired scene numbers. A maximum of 250 scenes can be programmed.
- Press **ENTER** to confirm.
- Press **MODE/ESC** in order to return to the main menu.

Example:

Program 2 includes scenes: 10, 11, 12, & 13

Program 4 includes scenes: 8, 9, & 10

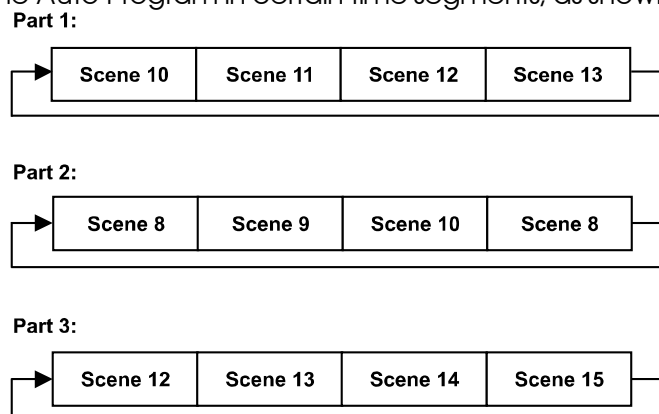
Program 6 includes scenes: 12, 13, 14, & 15

Auto Pro Part 1 is Program 2

Auto Pro Part 2 is Program 3

Auto Pro Part 3 is Program 6

The 3 Slave groups run the Auto Program in certain time segments, as shown in the following picture:



DMX CHANNEL FUNCTIONS AND VALUES - v1.3.0

ELATION® PLATINUM FLX™				
DMX Channel Values / Functions (37 DMX Channels)				
Supports Software Versions: ≥ 1.3.0				
Features are subject to change without any prior written notice.				
<i>*Rotation direction (Clockwise or Counterclockwise) of effects depends on orientation of the fixture head and Pan/Tilt settings.</i>				
MODE / CHANNEL			FUNCTION	
BASIC	STAND	EXTEND		
1	1	1	PAN MOVEMENT [8 BIT]	
			0-255	PAN Movement
	2	2	PAN FINE MOVEMENT [16 BIT]	
			0-255	Fine Control of PAN Movement
2	3	3	TILT MOVEMENT [8 BIT]	
			0-255	TILT Movement
	4	4	TILT MOVEMENT [16 BIT]	
			0-255	Fine Control of TILT Movement
3	5	5	CYAN	
			0-255	0-WHITE - 255-100% CYAN
				CYAN FINE
		6	0-255	FINE Adjustment of CYAN
				MAGENTA
			0-255	0-WHITE - 255-100% MAGENTA
4	6	7	MAGENTA FINE	
			0-255	FINE Adjustment of MAGENTA
				YELLOW
5	7	9	0-255	0-WHITE - 255-100% YELLOW
				YELLOW FINE
			0-255	FINE Adjustment of YELLOW
6	8	11	CTO COLOR	
			0-255	0-WHITE - 255-100% CTO
				CTO COLOR FINE
		12	0-255	FINE Adjustment of CTO
				COLOR WHEEL
			0-7	OPEN / WHITE
7	9	13	8-19	RED
			20-31	BLUE
			32-43	GREEN
			44-55	YELLOW
			56-67	MAGENTA
			68-79	ORANGE
			80-91	LT. BLUE
			92-103	C T O
			104-115	C T B
			116-127	UV FILTER
			128-189	*Clockwise Color Wheel Rotation from FAST to SLOW
			190-193	NO Rotation
			194-255	*Counterclockwise Color Wheel Rotation from SLOW to FAST
0-255	FINE Adjustment of Color Wheel to Any Position			

ELATION® PLATINUM FLX™				
DMX Channel Values / Functions (37 DMX Channels)				
Supports Software Versions: ≥ 1.3.0				
Features are subject to change without any prior written notice.				
*Rotation direction (Clockwise or Counterclockwise) of effects depends on orientation of the fixture head and Pan/Tilt settings.				
MODE / CHANNEL			FUNCTION	
BASIC	STAND	EXTEND		
8	10	15	ROTATING GOBOS, CONTINUOUS ROTATION [GOBO WHEEL 1]	
			0-10	BEAM OPEN
			11-21	SPOT OPEN
			22-31	Rotating Gobo 1
			32-41	Rotating Gobo 2
			42-51	Rotating Gobo 3
			52-61	Rotating Gobo 4
			62-71	Rotating Gobo 5
			72-81	Rotating Gobo 6
			82-91	Rotating Gobo 7
			92-101	Rotating Gobo 8
			102-112	Gobo 1 Shake SLOW to FAST
			113-123	Gobo 2 Shake SLOW to FAST
			124-134	Gobo 3 Shake SLOW to FAST
			135-145	Gobo 4 Shake SLOW to FAST
			146-156	Gobo 5 Shake SLOW to FAST
			157-167	Gobo 6 Shake SLOW to FAST
			168-178	Gobo 7 Shake SLOW to FAST
			179-189	Gobo 8 Shake SLOW to FAST
		222-223	NO Rotation	
		224-255	*Counterclockwise Gobo Wheel Rotation from SLOW to FAST	
9	11	16	ROTATING GOBOS, INDEX ROTATION [GOBO WHEEL 1]	
			0-127	ROTATING Gobo Indexing
			128-189	*Clockwise Gobo Rotation from FAST TO SLOW
			190-193	NO Rotation
			194-255	*Counterclockwise Gobo Rotation from SLOW to FAST
		17	ROTATING GOBOS, FINE INDEX ROTATION [GOBO WHEEL 1]	
			0-255	ROTATING Gobo FINE Indexing

ELATION® PLATINUM FLX™				
DMX Channel Values / Functions (37 DMX Channels)				
Supports Software Versions: ≥ 1.3.0				
Features are subject to change without any prior written notice.				
*Rotation direction (Clockwise or Counterclockwise) of effects depends on orientation of the fixture head and Pan/Tilt settings.				
MODE / CHANNEL			FUNCTION	
BASIC	STAND	EXTEND		
10	12	18	STATIC-STAMPED GOBOS [GOBO WHEEL 2]	
			0-9	OPEN
			10-17	Static-Stamped Gobo 1
			18-25	Static-Stamped Gobo 2
			26-33	Static-Stamped Gobo 3
			34-41	Static-Stamped Gobo 4
			42-49	Static-Stamped Gobo 5
			50-57	Static-Stamped Gobo 6
			58-65	Animation Position 1
			66-73	Animation Position 2
			74-81	Animation Position 3
			82-89	Animation Position 4
			90-97	Animation Position 5
			98-105	Animation Position 6
			106-112	Shake SLOW to FAST Static-Stamped Gobo 1
			113-119	Shake SLOW to FAST Static-Stamped Gobo 2
			120-126	Shake SLOW to FAST Static-Stamped Gobo 3
			127-133	Shake SLOW to FAST Static-Stamped Gobo 4
			134-140	Shake SLOW to FAST Static-Stamped Gobo 5
			141-147	Shake SLOW to FAST Static-Stamped Gobo 6
			148-154	Shake SLOW to FAST Animation Position 1
			155-161	Shake SLOW to FAST Animation Position 2
			162-168	Shake SLOW to FAST Animation Position 3
			169-175	Shake SLOW to FAST Animation Position 4
			176-182	Shake SLOW to FAST Animation Position 5
			183-189	Shake SLOW to FAST Animation Position 6
190-221	*Clockwise Gobo Wheel Rotation from FAST to SLOW			
222-223	NO Rotation			
224-255	*Counterclockwise Gobo Wheel Rotation from SLOW to FAST			
		19	STATIC-STAMPED GOBOS, FINE INDEXING [GOBO WHEEL 2]	
			0-255	STATIC-STAMPED Gobo FINE Indexing

ELATION® PLATINUM FLX™				
DMX Channel Values / Functions (37 DMX Channels)				
Supports Software Versions: ≥ 1.3.0				
Features are subject to change without any prior written notice.				
<i>*Rotation direction (Clockwise or Counterclockwise) of effects depends on orientation of the fixture head and Pan/Tilt settings.</i>				
MODE / CHANNEL			FUNCTION	
BASIC	STAND	EXTEND		
11	13	20	8-FACET ROTATING PRISM, LINEAR PRISM / GOBO MACROS	
			0-31	OPEN
			32-79	8-FACET Prism
			80-127	LINEAR Rotating Prism
			128-135	Linear Prism / Gobo Macro 1
			136-143	Linear Prism / Gobo Macro 2
			144-151	Linear Prism / Gobo Macro 3
			152-159	Linear Prism / Gobo Macro 4
			160-167	Linear Prism / Gobo Macro 5
			168-175	Linear Prism / Gobo Macro 6
			176-183	Linear Prism / Gobo Macro 7
			184-191	Linear Prism / Gobo Macro 8
			192-199	Linear Prism / Gobo Macro 9
			200-207	Linear Prism / Gobo Macro 10
			208-215	Linear Prism / Gobo Macro 11
			216-223	Linear Prism / Gobo Macro 12
			224-231	Linear Prism / Gobo Macro 13
232-239	Linear Prism / Gobo Macro 14			
240-247	Linear Prism / Gobo Macro 15			
248-255	Linear Prism / Gobo Macro 16			
12	14	21	8-FACET ROTATING PRISM, LINEAR PRISM / INDEX ROTATION	
			0-127	Prism Indexing
			128-189	*Clockwise Linear Prism Rotation from FAST to SLOW
			190-193	NO Rotation
			194-255	*Counterclockwise Linear Prism Rotation from SLOW to FAST
13	15	22	8-FACET ROTATING PRISM, LINEAR PRISM / FINE INDEX ROTATION	
			0-255	Prism FINE Indexing
13	15	23	FOCUS	
			0-255	Continuous FOCUS Adjustment from NEAR to FAR
14	16	24	FOCUS FINE	
			0-255	Continuous FINE FOCUS Adjustment
14	16	25	MOTORIZED ZOOM	
			0-255	ZOOM Adjustment from SMALL to BIG
15	17	26	MOTORIZED ZOOM FINE	
			0-255	ZOOM FINE Adjustment
15	17	27	AUTO FOCUS	
			0-50	Auto Focus OFF
			51-150	15m
			151-255	20m
16	18	28	AUTO FOCUS FINE	
			0-255	Continuous FINE AUTO FOCUS Adjustment

ELATION® PLATINUM FLX™				
DMX Channel Values / Functions (37 DMX Channels)				
Supports Software Versions: ≥ 1.3.0				
Features are subject to change without any prior written notice.				
<i>*Rotation direction (Clockwise or Counterclockwise) of effects depends on orientation of the fixture head and Pan/Tilt settings.</i>				
MODE / CHANNEL			FUNCTION	
BASIC	STAND	EXTEND		
17	19	29		SHUTTER, STROBE
			0-31	Shutter CLOSED
			32-63	NO Function (Shutter OPEN)
			64-95	Strobe Effect SLOW to FAST
			96-127	NO function (Shutter OPEN)
			128-159	Pulse Effect In Sequences
			160-191	NO Function (Shutter OPEN)
			192-223	Random Strobe Effect SLOW to FAST
		224-255	NO Function (Shutter OPEN)	
18	20	30		DIMMER INTENSITY
			0-255	Intensity 0 to 100%
		31		DIMMER INTENSITY FINE
			0-255	Dimmer Intensity FINE Adjustment
19	21	32		FROST
			0-127	OPEN
			128-255	100% Frost
20	22	33		ANIMATION MOVEMENT SPEED
			0-255	Animation Movement Speed from SLOW to FAST
21	23	34		CMY & COLOR MACRO SPEED
			0-255	Speed FAST to SLOW

ELATION® PLATINUM FLX™				
DMX Channel Values / Functions (37 DMX Channels)				
Supports Software Versions: ≥ 1.3.0				
Features are subject to change without any prior written notice.				
<i>*Rotation direction (Clockwise or Counterclockwise) of effects depends on orientation of the fixture head and Pan/Tilt settings.</i>				
MODE / CHANNEL			FUNCTION	
BASIC	STAND	EXTEND		
22	24	35		C M Y & COLOR WHEEL MACROS
			0-31	NO Function
			32-39	Color Macro 1
			40-47	Color Macro 2
			48-55	Color Macro 3
			56-63	Color Macro 4
			64-71	Color Macro 5
			72-79	Color Macro 6
			80-87	Color Macro 7
			88-95	Color Macro 8
			96-103	Color Macro 9
			104-111	Color Macro 10
			112-119	Color Macro 11
			120-127	Color Macro 12
			128-135	Color Macro 13
			136-143	Color Macro 14
			144-151	Color Macro 15
			152-159	Color Macro 16
			160-167	Color Macro 17
			168-175	Color Macro 18
			176-183	Color Macro 19
			184-191	Color Macro 20
			192-199	Color Macro 21
			200-207	Color Macro 22
208-215	Color Macro 23			
216-223	Color Macro 24			
224-231	Color Macro 25			
232-239	Color Macro 26			
240-247	Color Macro 27			
248-255	Random C M Y			
23	25	36		PAN / TILT MOVEMENT SPEED
			0-225	MAX to MIN Speed
			226-235	Blackout with PAN and TILT Movement
			236-245	Blackout with ALL Wheel Movement
			246-255	NO Function

ELATION® PLATINUM FLX™				
DMX Channel Values / Functions (37 DMX Channels)				
Supports Software Versions: ≥ 1.3.0				
Features are subject to change without any prior written notice.				
<i>*Rotation direction (Clockwise or Counterclockwise) of effects depends on orientation of the fixture head and Pan/Tilt settings.</i>				
MODE / CHANNEL			FUNCTION	
BASIC	STAND	EXTEND		
24	26	37	SPECIAL FUNCTIONS	
			0-19	Color & Gobo Change Normal
			20-29	Color Change to Any Position
			30-39	Color & Static-Stamped Gobo Change to Any Position
			40-59	Lamp ON
			60-79	Lamp Switch OFF
			80-84	ALL Motor Reset
			85-87	PAN & TILT Motors Reset
			88-90	COLORS Motor Reset
			91-93	GOBOS Motor Reset
			94-96	SHUTTER & DIMMER Motor Reset
			97-99	OTHER Motor Reset
			100-119	Internal Program 1 (Scene 1-8)
			120-139	Internal Program 2 (Scene 9-16)
			140-159	Internal Program 3 (Scene 17-24)
			160-179	Internal Program 4 (Scene 25-32)
			180-199	Internal Program 5 (Scene 33-40)
200-219	Internal Program 6 (Scene 41-48)			
220-239	Internal Program 7 (Scene 49-56)			
240-255	Reserved			

DMX CHANNEL FUNCTIONS AND VALUES - v1.5.2

ELATION® PLATINUM FLX™				
DMX Channel Values / Functions Version 1 - (37 DMX Channels)				
Release Date: 2/9/2016 Supports Software Versions: ≥ 1.5.2				
Feature subject to change without any prior written notice. *Rotation direction (Clockwise or Counterclockwise) of effects depends on orientation of the fixture head and Pan/Tilt settings.				
MODE / CHANNEL			FUNCTION	
BASIC	STAND	EXTEND		
1	1	1	PAN MOVEMENT [8 BIT]	
			0-255	PAN Movement
	2	2	PAN FINE MOVEMENT [16 BIT]	
			0-255	Fine Control of PAN Movement
2	3	3	TILT MOVEMENT [8 BIT]	
			0-255	TILT Movement
	4	4	TILT MOVEMENT [16 BIT]	
			0-255	Fine Control of TILT Movement
3	5	5	CYAN	
			0-255	0-WHITE - 255-100% CYAN [NO FUNCTION IN BEAM MODE]
		6	CYAN FINE	
			0-255	FINE Adjustment of CYAN [NO FUNCTION IN BEAM MODE]
4	6	7	MAGENTA	
			0-255	0-WHITE - 255-100% MAGENTA [NO FUNCTION IN BEAM MODE]
		8	MAGENTA FINE	
			0-255	FINE Adjustment of MAGENTA [NO FUNCTION IN BEAM MODE]
5	7	9	YELLOW	
			0-255	0-WHITE - 255-100% YELLOW [NO FUNCTION IN BEAM MODE]
		10	YELLOW FINE	
			0-255	FINE Adjustment of YELLOW [NO FUNCTION IN BEAM MODE]
6	8	11	CTO COLOR	
			0-255	0-WHITE - 255-100% CTO [NO FUNCTION IN BEAM MODE]
		12	CTO COLOR FINE	
			0-255	FINE Adjustment of CTO [NO FUNCTION IN BEAM MODE]
7	9	13	COLOR WHEEL	
			0-7	OPEN / WHITE
			8-19	RED
			20-31	BLUE
			32-43	GREEN
			44-55	YELLOW
			56-67	MAGENTA
			68-79	ORANGE
			80-91	LT. BLUE
			92-103	C T O
			104-115	C T B
			116-127	UV FILTER
			128-189	*Clockwise Color Wheel Rotation from FAST to SLOW
			190-193	NO Rotation
194-255	*Counterclockwise Color Wheel Rotation from SLOW to FAST			
		14	COLOR WHEEL FINE ADJUSTMENT	
			0-255	FINE Adjustment of Color Wheel to Any Position

ELATION® PLATINUM FLX™				
DMX Channel Values / Functions Version 1 - (37 DMX Channels)				
Release Date: 2/9/2016 Supports Software Versions: ≥ 1.5.2				
Feature subject to change without any prior written notice.				
*Rotation direction (Clockwise or Counterclockwise) of effects depends on orientation of the fixture head and Pan/Tilt settings.				
MODE / CHANNEL			FUNCTION	
BASIC	STAND	EXTEND		
8	10	15	ROTATING GOBOS, CONTINUOUS ROTATION [GOBO WHEEL 1]	
			0-10	BEAM OPEN
			11-21	SPOT OPEN
			22-31	Rotating Gobo 1
			32-41	Rotating Gobo 2
			42-51	Rotating Gobo 3
			52-61	Rotating Gobo 4
			62-71	Rotating Gobo 5
			72-81	Rotating Gobo 6
			82-91	Rotating Gobo 7
			92-101	Rotating Gobo 8
			102-112	Gobo 1 Shake SLOW to FAST
			113-123	Gobo 2 Shake SLOW to FAST
			124-134	Gobo 3 Shake SLOW to FAST
			135-145	Gobo 4 Shake SLOW to FAST
			146-156	Gobo 5 Shake SLOW to FAST
			157-167	Gobo 6 Shake SLOW to FAST
			168-178	Gobo 7 Shake SLOW to FAST
			179-189	Gobo 8 Shake SLOW to FAST
		222-223	NO Rotation	
		224-255	*Counterclockwise Gobo Wheel Rotation from SLOW to FAST	
9	11	16	ROTATING GOBOS, INDEX ROTATION [GOBO WHEEL 1]	
			0-127	ROTATING Gobo Indexing
			128-189	*Clockwise Gobo Rotation from FAST TO SLOW
			190-193	NO Rotation
			194-255	*Counterclockwise Gobo Rotation from SLOW to FAST
		17	ROTATING GOBOS, FINE INDEX ROTATION [GOBO WHEEL 1]	
			0-255	ROTATING Gobo FINE Indexing

ELATION© PLATINUM FLX™				
DMX Channel Values / Functions Version 1 - (37 DMX Channels)				
Release Date: 2/9/2016 Supports Software Versions: ≥ 1.5.2				
Feature subject to change without any prior written notice.				
*Rotation direction (Clockwise or Counterclockwise) of effects depends on orientation of the fixture head and Pan/Tilt settings.				
MODE / CHANNEL			FUNCTION	
BASIC	STAND	EXTEND		
10	12	18	STATIC-STAMPED GOBOS [GOBO WHEEL 2]	
			0-9	OPEN
			10-17	Static-Stamped Gobo 1
			18-25	Static-Stamped Gobo 2
			26-33	Static-Stamped Gobo 3
			34-41	Static-Stamped Gobo 4
			42-49	Static-Stamped Gobo 5
			50-57	Static-Stamped Gobo 6
			58-65	Animation Position 1 [NO FUNCTION IN BEAM MODE]
			66-73	Animation Position 2 [NO FUNCTION IN BEAM MODE]
			74-81	Animation Position 3 [NO FUNCTION IN BEAM MODE]
			82-89	Animation Position 4 [NO FUNCTION IN BEAM MODE]
			90-97	Animation Position 5 [NO FUNCTION IN BEAM MODE]
			98-105	Animation Position 6 [NO FUNCTION IN BEAM MODE]
			106-112	Shake SLOW to FAST Static-Stamped Gobo 1
			113-119	Shake SLOW to FAST Static-Stamped Gobo 2
			120-126	Shake SLOW to FAST Static-Stamped Gobo 3
			127-133	Shake SLOW to FAST Static-Stamped Gobo 4
			134-140	Shake SLOW to FAST Static-Stamped Gobo 5
			141-147	Shake SLOW to FAST Static-Stamped Gobo 6
			148-154	Shake SLOW to FAST Animation Position 1 [NO FUNCTION IN BEAM MODE]
			155-161	Shake SLOW to FAST Animation Position 2 [NO FUNCTION IN BEAM MODE]
			162-168	Shake SLOW to FAST Animation Position 3 [NO FUNCTION IN BEAM MODE]
			169-175	Shake SLOW to FAST Animation Position 4 [NO FUNCTION IN BEAM MODE]
			176-182	Shake SLOW to FAST Animation Position 5 [NO FUNCTION IN BEAM MODE]
			183-189	Shake SLOW to FAST Animation Position 6 [NO FUNCTION IN BEAM MODE]
			190-221	*Clockwise Gobo Wheel Rotation from FAST to SLOW [NO FUNCTION IN BEAM MODE]
222-223	NO Rotation			
224-255	*Counterclockwise Gobo Wheel Rotation from SLOW to FAST [NO FUNCTION IN BEAM MODE]			
		19	STATIC-STAMPED GOBOS, FINE INDEXING [GOBO WHEEL 2]	
			0-255 STATIC-STAMPED Gobo FINE Indexing	

ELATION® PLATINUM FLX™				
DMX Channel Values / Functions Version 1 - (37 DMX Channels)				
Release Date: 2/9/2016 Supports Software Versions: ≥ 1.5.2				
Feature subject to change without any prior written notice.				
*Rotation direction (Clockwise or Counterclockwise) of effects depends on orientation of the fixture head and Pan/Tilt settings.				
MODE / CHANNEL			FUNCTION	
BASIC	STAND	EXTEND		
11	13	20	8-FACET ROTATING PRISM, LINEAR PRISM / GOBO MACROS	
			0-31	OPEN
			32-79	8-FACET Prism
			80-127	LINEAR Rotating Prism
			128-135	Linear Prism / Gobo Macro 1
			136-143	Linear Prism / Gobo Macro 2
			144-151	Linear Prism / Gobo Macro 3
			152-159	Linear Prism / Gobo Macro 4
			160-167	Linear Prism / Gobo Macro 5
			168-175	Linear Prism / Gobo Macro 6
			176-183	Linear Prism / Gobo Macro 7
			184-191	Linear Prism / Gobo Macro 8
			192-199	Linear Prism / Gobo Macro 9
			200-207	Linear Prism / Gobo Macro 10
			208-215	Linear Prism / Gobo Macro 11
			216-223	Linear Prism / Gobo Macro 12
			224-231	Linear Prism / Gobo Macro 13
232-239	Linear Prism / Gobo Macro 14			
240-247	Linear Prism / Gobo Macro 15			
248-255	Linear Prism / Gobo Macro 16			
12	14	21	8-FACET ROTATING PRISM, LINEAR PRISM / INDEX ROTATION	
			0-127	Prism Indexing
			128-189	*Clockwise Linear Prism Rotation from FAST to SLOW
			190-193	NO Rotation
			194-255	*Counterclockwise Linear Prism Rotation from SLOW to FAST
		22	8-FACET ROTATING PRISM, LINEAR PRISM / FINE INDEX ROTATION	
			0-255	Prism FINE Indexing
13	15	23	FOCUS	
			0-255	Continuous FOCUS Adjustment from NEAR to FAR
		24	FOCUS FINE	
			0-255	Continuous FINE FOCUS Adjustment
14	16	25	MOTORIZED ZOOM	
			0-255	ZOOM Adjustment from SMALL to BIG
		26	MOTORIZED ZOOM FINE	
			0-255	ZOOM FINE Adjustment
15	17	27	AUTO FOCUS	
			0-50	Auto Focus OFF
			51-150	15m
			151-255	20m
16	18	28	AUTO FOCUS FINE	
			0-255	Continuous FINE AUTO FOCUS Adjustment

ELATION® PLATINUM FLX™				
DMX Channel Values / Functions Version 1 - (37 DMX Channels)				
Release Date: 2/9/2016 Supports Software Versions: ≥ 1.5.2				
Feature subject to change without any prior written notice.				
*Rotation direction (Clockwise or Counterclockwise) of effects depends on orientation of the fixture head and Pan/Tilt settings.				
MODE / CHANNEL			FUNCTION	
BASIC	STAND	EXTEND		
17	19	29		SHUTTER, STROBE
			0-31	Shutter CLOSED
			32-63	NO Function (Shutter OPEN)
			64-95	Strobe Effect SLOW to FAST
			96-127	NO function (Shutter OPEN)
			128-159	Pulse Effect In Sequences
			160-191	NO Function (Shutter OPEN)
			192-223	Random Strobe Effect SLOW to FAST
		224-255	NO Function (Shutter OPEN)	
18	20	30		DIMMER INTENSITY
			0-255	Intensity 0 to 100%
		31		DIMMER INTENSITY FINE
			0-255	Dimmer Intensity FINE Adjustment
19	21	32		FROST
			0-127	OPEN
			128-255	100% Frost
20	22	33		ANIMATION MOVEMENT SPEED
			0-255	Animation Movement Speed from SLOW to FAST [NO FUNCTION IN BEAM MODE]
21	23	34		CMY & COLOR MACRO SPEED
			0-255	Speed FAST to SLOW

ELATION® PLATINUM FLX™				
DMX Channel Values / Functions Version 1 - (37 DMX Channels)				
Release Date: 2/9/2016 Supports Software Versions: ≥ 1.5.2				
Feature subject to change without any prior written notice.				
*Rotation direction (Clockwise or Counterclockwise) of effects depends on orientation of the fixture head and Pan/Tilt settings.				
MODE / CHANNEL			FUNCTION	
BASIC	STAND	EXTEND		
22	24	35		
			C M Y & COLOR WHEEL MACROS	
			0-31	NO Function
			32-39	Color Macro 1
			40-47	Color Macro 2
			48-55	Color Macro 3
			56-63	Color Macro 4
			64-71	Color Macro 5
			72-79	Color Macro 6
			80-87	Color Macro 7
			88-95	Color Macro 8
			96-103	Color Macro 9
			104-111	Color Macro 10
			112-119	Color Macro 11
			120-127	Color Macro 12
			128-135	Color Macro 13
			136-143	Color Macro 14
			144-151	Color Macro 15
			152-159	Color Macro 16
			160-167	Color Macro 17
			168-175	Color Macro 18
			176-183	Color Macro 19
			184-191	Color Macro 20
192-199	Color Macro 21			
200-207	Color Macro 22			
208-215	Color Macro 23			
216-223	Color Macro 24			
224-231	Color Macro 25			
232-239	Color Macro 26			
240-247	Color Macro 27			
248-255	Random C M Y			
23	25	36		
			PAN / TILT MOVEMENT SPEED	
			0-225	MAX to MIN Speed
			226-235	Blackout with PAN and TILT Movement
			236-245	Blackout with ALL Wheel Movement
246-255	NO Function			

ELATION® PLATINUM FLX™			
DMX Channel Values / Functions Version 1 - (37 DMX Channels)			
Release Date: 2/9/2016 Supports Software Versions: ≥ 1.5.2			
Feature subject to change without any prior written notice.			
*Rotation direction (Clockwise or Counterclockwise) of effects depends on orientation of the fixture head and Pan/Tilt settings.			
MODE / CHANNEL			FUNCTION
BASIC	STAND	EXTEND	
24	26	37	SPECIAL FUNCTIONS
			0-19 Color & Gobo Change Normal
			20-29 Color Change to Any Position
			30-39 Color & Static-Fixed Gobo Change to Any Position
			40-59 Lamp ON
			60-79 Lamp Switch OFF
			80-84 ALL Motor Reset
			85-87 PAN & TILT Motors Reset
			88-90 COLORS Motor Reset
			91-93 GOBOS Motor Reset
			94-96 SHUTTER & DIMMER Motor Reset
			97-99 OTHER Motor Reset
			100-119 Internal Program 1 (Scene1-8)
			120-139 Internal Program 2 (Scene 9-16)
			140-159 Internal Program 3 (Scene 17-24)
			160-179 Internal Program 4 (Scene 25-32)
			180-199 Internal Program 5 (Scene 33-40)
			200-219 Internal Program 6 (Scene 41-48)
			220-239 Internal Program 7 (Scene 49-56)
			240-255 Reserved

ERROR CODES

When power is applied, the unit will automatically enter a **“Reset/Test”** mode. This mode brings all the internal motors to a home position. If there is an internal problem with one or more of the motors an error code will flash in the display in the form of **“XXer”** where as XX will represent a function number. For example, when the display shows **“0Er”** it means there is some type of error with the Pan motor. If there are multiple errors during the start-up process they will all flash in the display. For example: if the fixtures has errors on **Channel 1, 2, and 5** all at the same time, you will see the error message **“01Er”, “02Er”, and “05Er”** flash repeated 5 times.

If an error does occur during the initial start-up procedure the fixture will self-generate a second reset signal and try to realign all the motors and correct the errors. If the error persists after a second attempt a third attempt will be made. If after a third attempt all the errors have not been corrected the fixture will make the following determinations:

- **3 or More Errors** - The fixture cannot function properly with three or more errors therefore the fixture will place itself in a stand-by mode until subsequent repairs can be made.
- **Less Than 3 Errors** - The fixture has less than 3 errors; therefore most other functions will work properly. The fixture will attempt to operate normally until the errors can be correct by a technician. The errors in question will remain flashing in the display as a reminder of internal errors.

ELATION® PLATINUM FLX™ ERROR CODES	
Specifications and features are subject to change without any prior written notice.	
ERROR CODE	DESCRIPTION
PAN Er	The PAN movement is not located in the default position after the reset. This message will appear after a fixture reset if the magnetic-indexing circuit malfunctions (sensor failed or magnet is missing) or there is a motor failure (defective motor or a defective motor IC drive on the main PCB). This error may also be displayed if the head/yoke was blocked during a reset function.
TILT Er	The TILT movement is not located in the default position after the reset. This message will appear after a fixture reset if the magnetic-indexing circuit malfunctions (sensor failed or magnet is missing) or there is a motor failure (defective motor or defective motor IC drive on main PCB). This error may also be displayed if the head was blocked during a reset function.
Cyan Wheel Er	The Cyan Color movement is not located in the default position after the reset. This message will appear after a fixture reset if the gobo wheel's magnetic-indexing circuit malfunctions (sensor failed or magnet is missing) or there is a stepper motor failure (defective motor or defective motor IC drive on main PCB).
Magenta Wheel Er	The Magenta Color movement is not located in the default position after the reset. This message will appear after a fixture reset if the magnetic-indexing circuit malfunctions (sensor failed or magnet is missing) or there is a stepper motor failure (defective motor or defective motor IC drive on main PCB).
Yellow Wheel Er	The Yellow Color movement is not located in the default position after the reset. This message will appear after the reset of the fixture reset if the magnetic-indexing circuit malfunctions (sensor failed or magnet is missing) or there is a stepper motor failure (defective motor or defective motor IC drive on main PCB).
CTO Wheel Er	The CTO Wheel is not located in the default position after the reset. This message will appear after the reset of the fixture reset if the magnetic-indexing circuit malfunctions (sensor failed or magnet is missing) or there is a stepper motor failure (defective motor or defective motor IC drive on main PCB).
Color Wheel Er	The Color Wheel is not located in the default position after the reset. This message will appear after the reset of the fixture reset if the magnetic-indexing circuit malfunctions (sensor failed or magnet is missing) or there is a stepper motor failure (defective motor or defective motor IC drive on main PCB).
Gobo Wheel 1 Er	The Gobo Wheel 1 movement is not located in the default position after the reset. This message will appear after a fixture reset if the magnetic-indexing circuit malfunctions (sensor failed or magnet is missing) or there is a stepper motor failure (defective motor or defective motor IC drive on main PCB).

ELATION® PLATINUM FLX™ ERROR CODES	
Specifications and features are subject to change without any prior written notice.	
ERROR CODE	DESCRIPTION
Gobo Rot.1 Er	The Gobo Rot.1 movement is not located in the default position after the reset. This message will appear after a fixture reset if the gobo wheel's magnetic-indexing circuit malfunctions (sensor failed or magnet is missing) or there is a stepper motor failure (defective motor or defective motor IC drive on main PCB).
Gobo Wheel 2 Er	The Gobo Wheel 2 movement is not located in the default position after the reset. This message will appear after a fixture reset if the magnetic-indexing circuit malfunctions (sensor failed or magnet is missing) or there is a stepper motor failure (defective motor or defective motor IC drive on main PCB).
Prism 1 Er	The Prism1 movement is not located in the default position after the reset. This message will appear after the reset of the fixture reset if the magnetic-indexing circuit malfunctions (sensor failed or magnet is missing) or there is a stepper motor failure (defective motor or defective motor IC drive on main PCB).
Prism Rot.1 Er	The Prism Rot.1 movement is not located in the default position after the reset. This message will appear after a fixture reset if the gobo wheel's magnetic-indexing circuit malfunctions (sensor failed or magnet is missing) or there is a stepper motor failure (defective motor or defective motor IC drive on main PCB).
Prism2 Er	The Prism2 movement is not located in the default position after the reset. This message will appear after the reset of the fixture reset if the magnetic-indexing circuit malfunctions (sensor failed or magnet is missing) or there is a stepper motor failure (defective motor or defective motor IC drive on main PCB).
Prism Rot.2 Er	The Prism Rot.2 movement is not located in the default position after the reset. This message will appear after a fixture reset if the gobo wheel's magnetic-indexing circuit malfunctions (sensor failed or magnet is missing) or there is a stepper motor failure (defective motor or defective motor IC drive on main PCB).
Focus Er	The Focus movement is not located in the default position after the reset. This message will appear after the reset of the fixture reset if the magnetic-indexing circuit malfunctions (sensor failed or magnet is missing) or there is a stepper motor failure (defective motor or defective motor IC drive on main PCB).
Zoom Er	The Zoom movement is not located in the default position after the reset. This message will appear after the reset of the fixture reset if the magnetic-indexing circuit malfunctions (sensor failed or magnet is missing) or there is a stepper motor failure (defective motor or defective motor IC drive on main PCB).

ELATION® PLATINUM FLX™ ERROR CODES	
Specifications and features are subject to change without any prior written notice.	
ERROR CODE	DESCRIPTION
Flow Control Er	The Flow Control movement is not located in the default position after the reset. This message will appear after the reset of the fixture reset if the magnetic-indexing circuit malfunctions (sensor failed or magnet is missing) or there is a stepper motor failure (defective motor or defective motor IC drive on main PCB).
LightSource Er	The LightSource movement is not located in the default position after the reset. This message will appear after the reset of the fixture reset if the magnetic-indexing circuit malfunctions (sensor failed or magnet is missing) or there is a stepper motor failure (defective motor or defective motor IC drive on main PCB).
LightPipe Er	The LightPipe movement is not located in the default position after the reset. This message will appear after the reset of the fixture reset if the magnetic-indexing circuit malfunctions (sensor failed or magnet is missing) or there is a stepper motor failure (defective motor or defective motor IC drive on main PCB).
2U_Fan1Fault	Error information from JB1 port on 2U01 PCB. It shown as 2U_Fan1 RPM <1400.
2U_Fan2Fault	Error information from JB3 port on 2U01 PCB. Error information shown as 2U_Fan2 RPM <1800.
3U_Fan1Fault	Error information from JB1 port on 3U01 PCB. Error information shown as 3U_Fan1 RPM <2500
3U_Fan2Fault	Error information from JB2 port on 3U01 PCB. Error information shown as 3U_Fan2 RPM <2500
5U_Fan1Fault	Error information from JB1 port on 5U01 PCB. Error information shown as 5U_Fan1 RPM <4000
6U_Fan1Fault	Error information from JB1 port on 6U01 PCB. Error information shown as 6U_Fan1 RPM <4000
6U_Fan2Fault	Error information from JB2 port on 6U01 PCB. Error information shown as 6U_Fan2 RPM <4000
Accelerometer Err	Accelerometer calibration failure.
Accelerometer ID Error	
Ballast Fault_1	Lamp over voltage.

ELATION® PLATINUM FLX™ ERROR CODES	
Specifications and features are subject to change without any prior written notice.	
ERROR CODE	DESCRIPTION
Ballast Fault_2	Input voltage too high.
Ballast Fault_3	Temperature too high.
Ballast Fault_4	Asymmetry detected.
Ballast Fault_5	Lamp under voltage.
Ballast Fault_6	Lamp under voltage.
Ballast Fault_8	NTC defective.
Ballast Fault_Other	
Ballast Over Hot	
AirFlowShiftFault	
Pan Reset Fail	
Tilt Reset Fail	
LightSc Reset Fail	
LightPipe Reset Fail	
RotGobo Reset Fail	
Beam/Spot Sw Fault	
REPLACE THE LAMP	

CLEANING AND MAINTENANCE



C A U T I O N

Disconnect power before cleaning or maintenance.

CLEANING

Frequent cleaning is recommended to insure proper function, optimized light output, and an extended life. The frequency of cleaning depends on the environment in which the fixture operates: damp, smoky or particularly dirty environments can cause greater accumulation of dirt on the fixture's optics.

- Clean the external lens surface at least every 20 days with a soft cloth to avoid dirt/debris accumulation.
- Never use alcohol, solvents, or ammonia based cleaners.

MAINTENANCE

Regular inspections are recommended to insure proper function and extended life. There are no user serviceable parts inside this fixture, please refer all other service issues to an authorized Elation service technician. Should you need any spare parts, please order genuine parts from your local Elation dealer.

Please refer to the following points during routine inspections:

- A detailed electric check by an approved electrical engineer every three months, to make sure the circuit contacts are in good condition and prevent overheating.
- Be sure all screws and fasteners are securely tightened at all times. Loose screws may fall out during normal operation resulting in damage or injury as larger parts could fall.
- Check for any deformations on the housing, color lenses, rigging hardware and rigging points (ceiling, suspension, trussing). Deformations in the housing could allow for dust to enter into the fixture. Damaged rigging points or unsecured rigging could cause the fixture to fall and seriously injure a person(s).
- Electric power supply cables must not show any damage, material fatigue or sediments. Never remove the ground prong from the power cable.

TECHNICAL SPECIFICATIONS

SOURCE

Phillips™ MSD Platinum 20R 470W Lamp

1,500 Hour Average Lamp Life*

*May vary depending on several factors including but not limited to:

Environmental Conditions, Power/Voltage, Usage Patterns (On-Off Cycling), Control, and Dimming.

EFFECTS

6-Way Linear and 8-Facet Rotating Prisms

Bi-Directional Animation

Zoomable Wash / Frost Filter

Strobe and Dimming

COLOR

Full CMY Color Mixing

Linear CTO Color Correction

10 Dichroic Colors Including CTB and UV

GOBOS

(2) Gobo Wheels

(8) Interchangeable / Rotating / Indexing Gobos

(6) Static-Stamped Gobos (Indexing Wheel)

CONTROL / CONNECTIONS

(3) DMX Channel Modes (24 / 26 / 37)

RDM (Remote Device Management)

6 Button Touch Control Panel

Full Color 180° Reversible LCD Menu Display

8 / 16 Bit Resolution Adjustable Movement

5pin DMX In/Out

RJ45 Ethernet In/Out (Art-NET)

powerCON Power In/Out

SIZE / WEIGHT

Length: 18.3" (466mm)

Width: 20.9" (532mm)

Vertical Height: 30.0" (762mm)

Weight: 75.0 lbs. (34.0 kg)

ELECTRICAL / THERMAL

AC 100-240V - 50/60Hz

700W Max Power Consumption

14°F to 113°F (-10°C to 45°C)

APPROVALS / RATINGS

CE | IP20

Please Note: Specifications and improvements in the design of this unit and this manual are subject to change without any prior written notice.

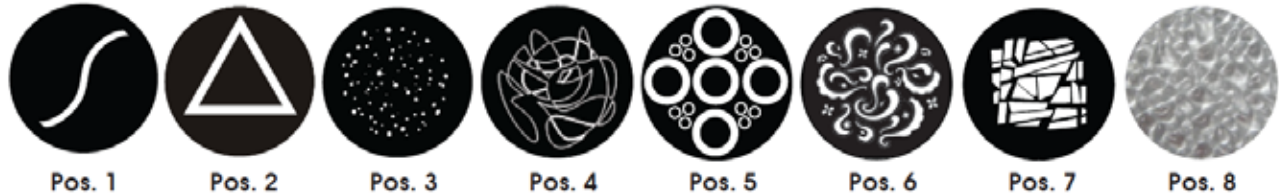
COLOR WHEEL



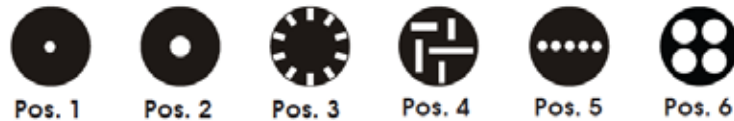
COLOR FLAGS



INTERCHANGEABLE-ROTATING GOBO WHEEL 1 - OD: Ø16.1mm** ID: Ø10.0mm



STATIC-STAMPED GOBO WHEEL 2



BI-DIRECTIONAL ANIMATION WHEEL



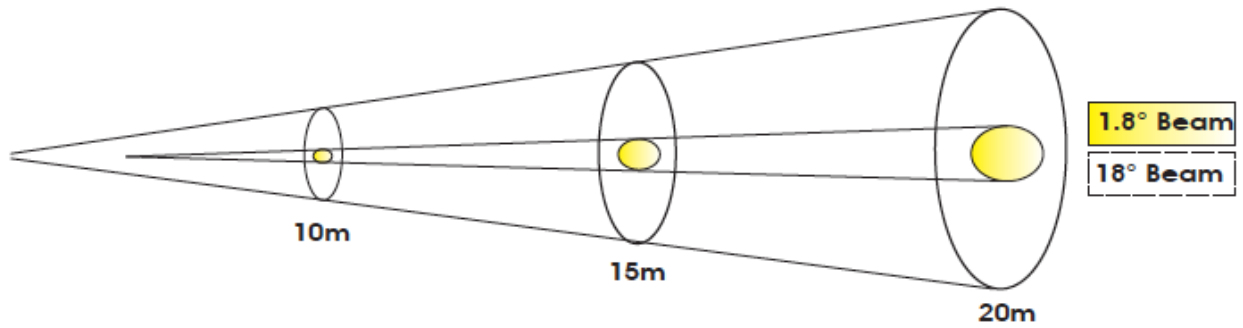
**IMPORTANT NOTICE REGARDING GOBO DIMENSIONS AND CUSTOM GOBOS

OD = Outside Diameter | ID = Image Diameter

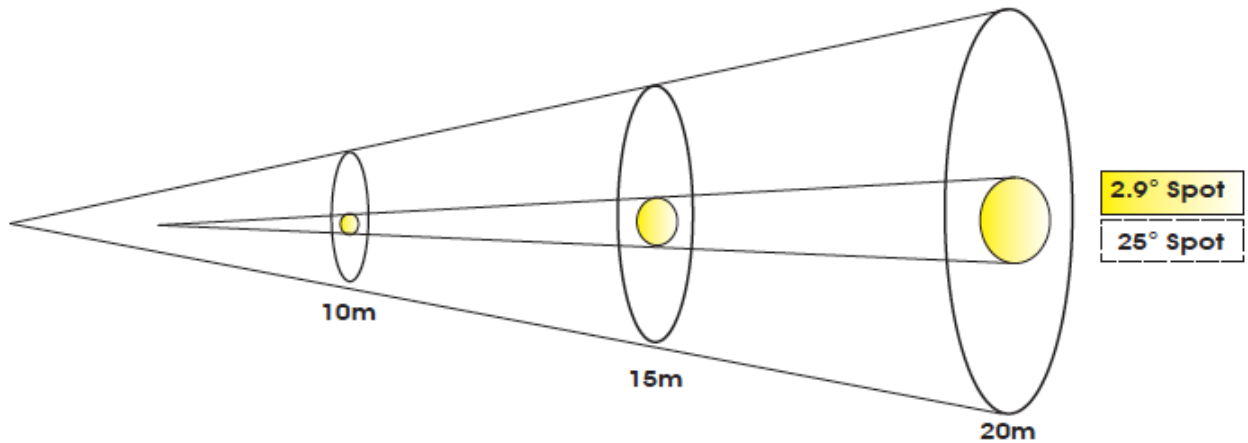
Due to varying manufacturing processes, it is highly recommended to provide a gobo and holder sample from the fixture to 3rd party custom gobo vendors for accurate sizing.

Please Note: Specifications and improvements in the design of this unit and this manual are subject to change without any prior written notice.

PHOTOMETRIC DATA



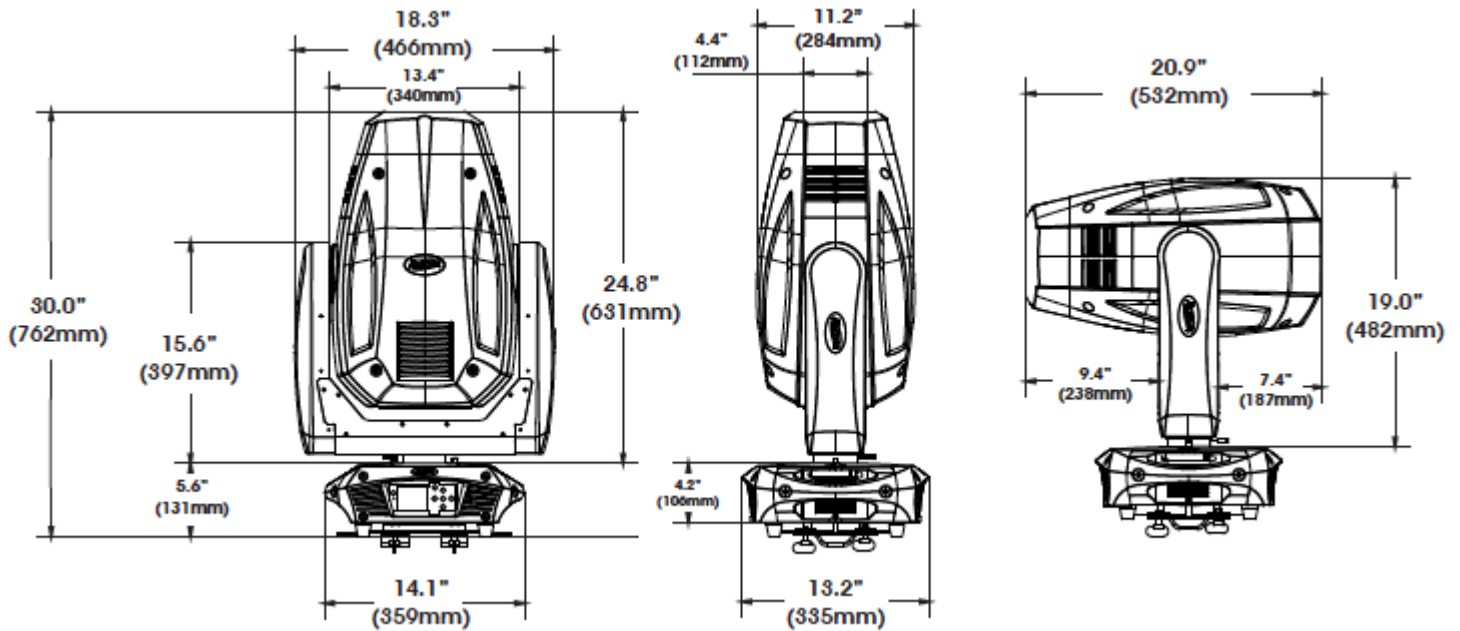
BEAM MODE	10 m	32.8 ft	15 m	49.2 ft	20 m	65.6 ft
1.8° Min	0.31	1.0	0.47	1.5	0.62	2.0
18° Max	3.16	10.4	4.75	15.6	6.32	20.7
	lux	fc	lux	fc	lux	fc
1.8° FULL ON	360,000	33,444	169,000	15,700	90,100	8,370
18° FULL ON	12,000	1,115	5,420	504	3,100	288



SPOT MODE	10 m	32.8 ft	15 m	49.2 ft	20 m	65.6 ft
2.9° Min	0.6	2.0	0.8	2.6	1.0	3.3
25° Max	6.08	19.9	8.1	26.6	10.2	33.5
	lux	fc	lux	fc	lux	fc
2.9° FULL ON	165,500	15,375	95,500	8,872	59,020	5,483
25° FULL ON	2,657	247	1,497	139	907	84

Please Note: Specifications and improvements in the design of this unit and this manual are subject to change without any prior written notice.

DIMENSIONAL DRAWINGS



Please Note: Specifications and improvements in the design of this unit and this manual are subject to change without any prior written notice.

OPTIONAL ACCESSORIES

ORDER CODE	ITEM
TRIGGER CLAMP	Heavy Duty Wrap Around Hook Style Clamp
DRCFLXTOUR	Dual Touring Road Case For Platinum FLX™
EWDMXSYSTEM	Wireless DMX System (1 Transmitter, 1 Receiver)
AC5PDMX5PRO	5 ft. (1.5m) 5pin PRO DMX Cable
CAT6PRO5	5 ft. (1.5m) CAT6 EtherCON Cable
	Additional Cable Lengths Available

